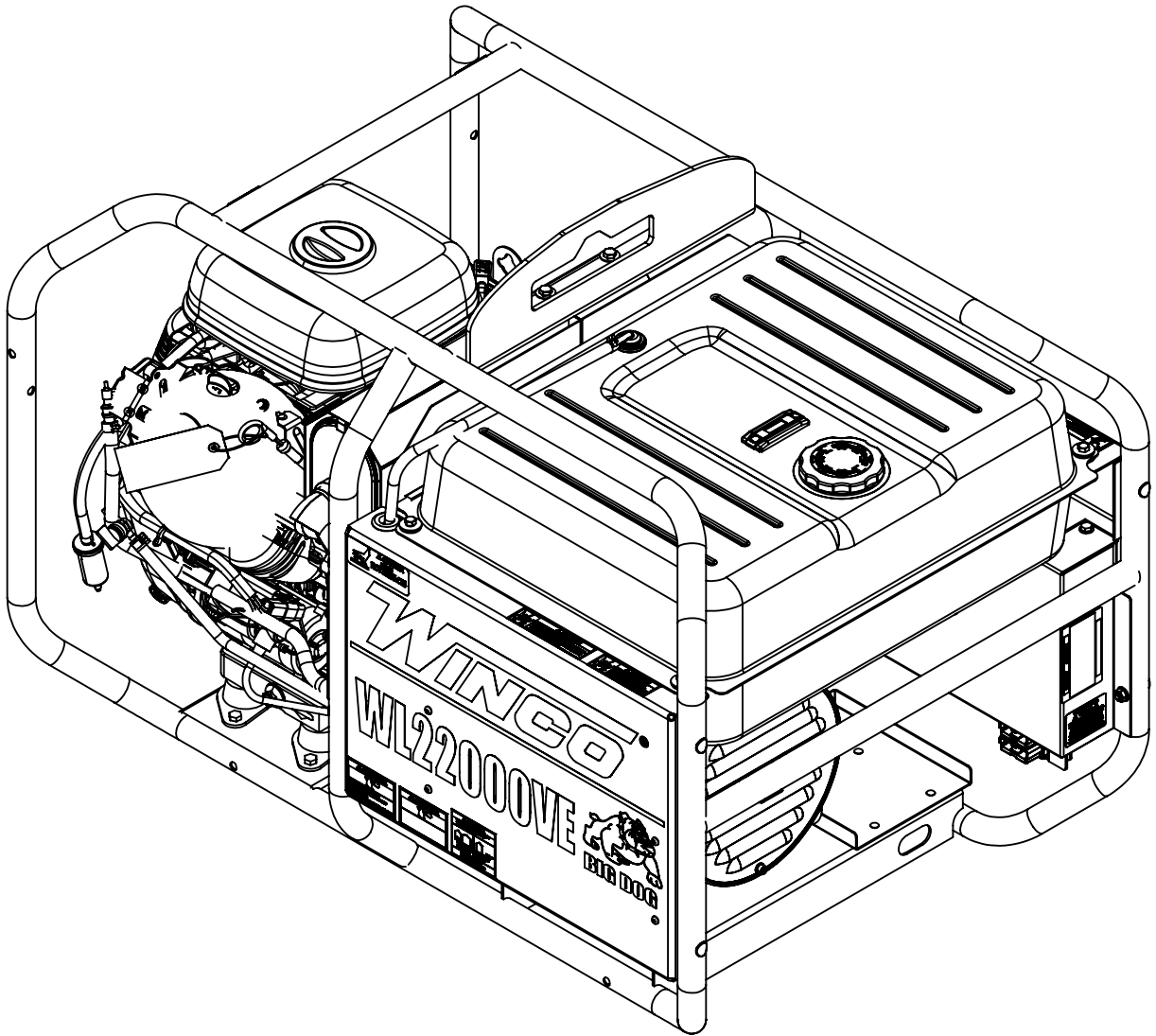


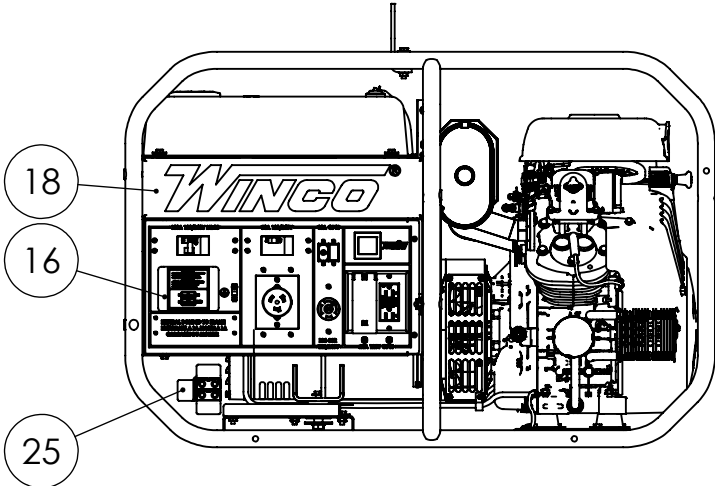
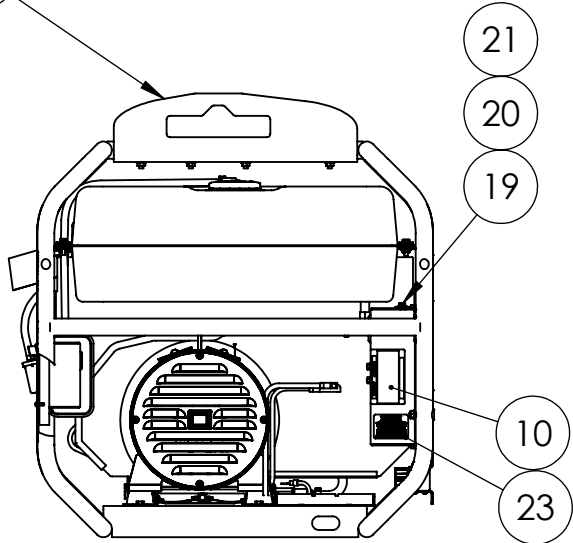
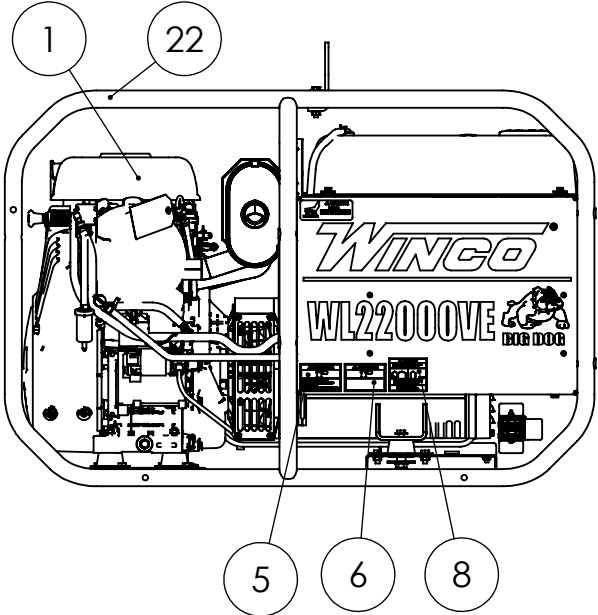
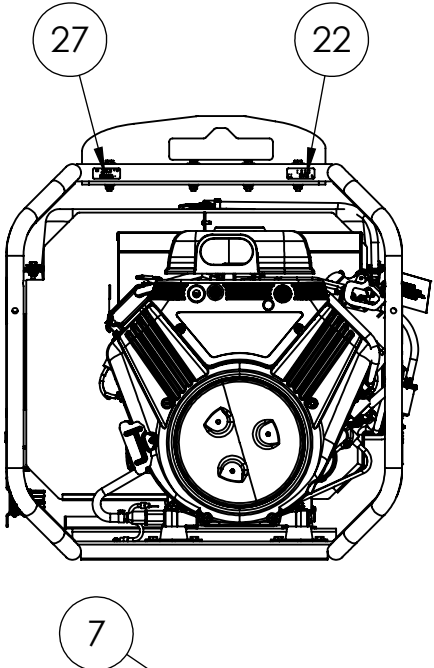
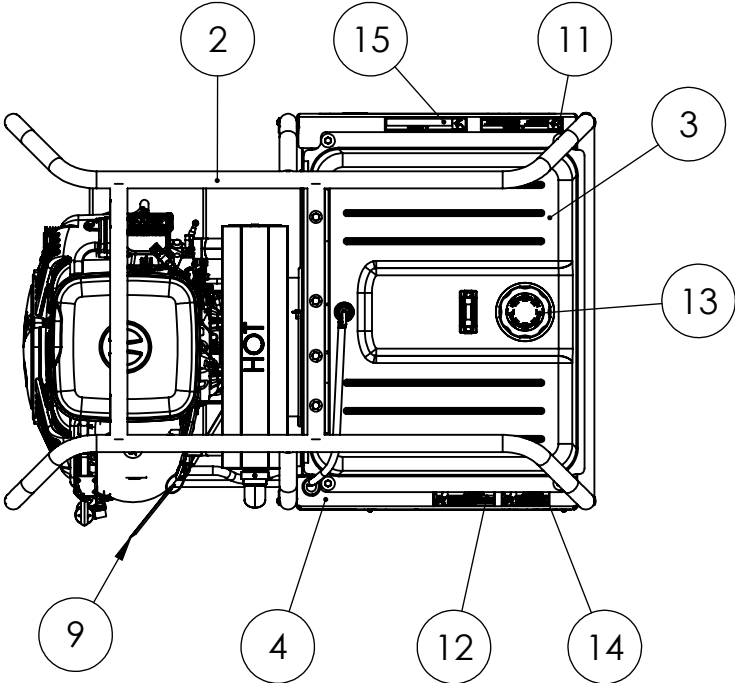
WINCO[®]

WL22000VE/C Parts List



WINCO Service
Phone: 507-357-6831
Email: service@wincogen.com
www.wincogen.com

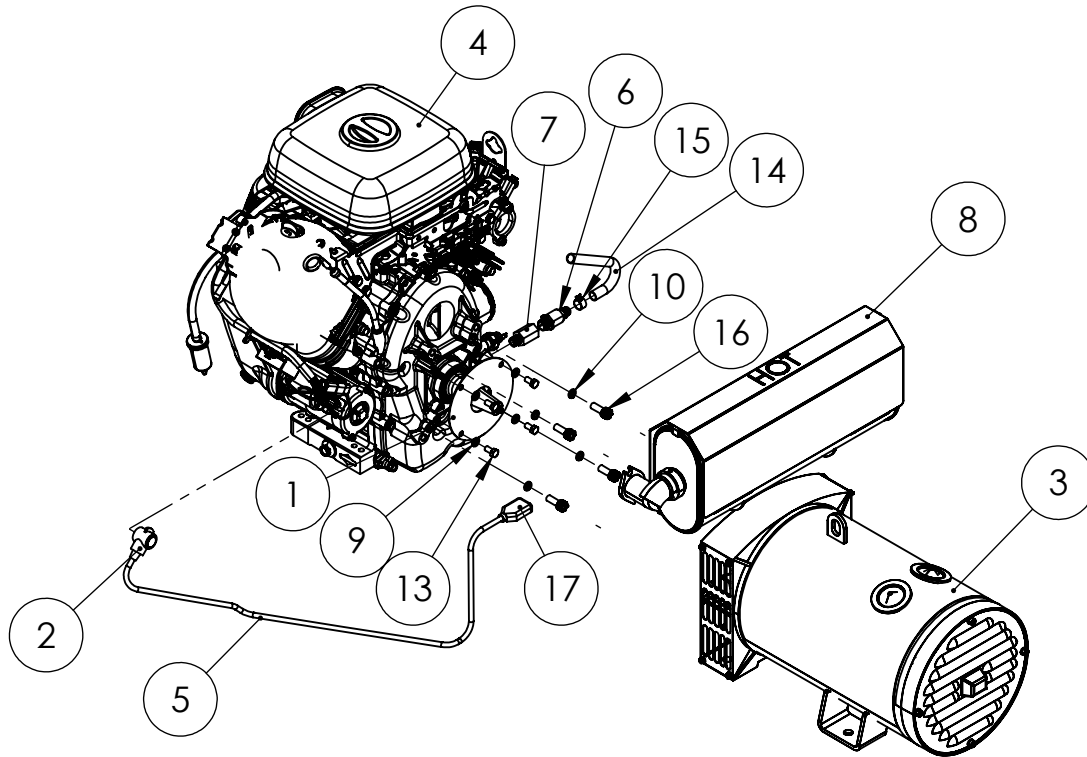
General Assembly



General Assembly

ITEM NO.	PART NUMBER	DESCRIPTION	QTY.
1	18000-034	ENGINE GENERATOR ASSEMBLY	1
2	18000-208	WL22000 HARDWARE KIT	1
3	15163-101	FUEL SYSTEM ASSEMBLY	1
4	300216-41	LEFT SIDE PANEL ASSEMBLY	1
5	15209-002	DECAL - DANGER CARBON MONOXIDE	1
6	15209-102	DECAL - DANGER CARBON MONOXIDE	1
7	300144-26	LIFTING EYE ASSEMBLY WL22000	1
8	64918-000	DECAL-DANGER (CO) USE OUTSIDE	1
9	60710-018	OIL WARNING TAG	1
10	63966-004	NAMEPLATE, WINCO PORTABLE	1
11	15209-003	UL-DECAL ELECTRICAL SHOCK CAN KILL	1
12	15209-001	GASOLINE DECAL	1
13	15209-013	DECAL - FUEL TYPE GASOLINE	1
14	15209-101	DECAL, GASOLINE DANGER, FRENCH	1
15	15209-103	UL-DECAL ELECTRICAL SHOCK CAN KILL	1
16	15457-094	RECEPTACLE PANEL ASSEMBLY	1
17	62999-005	HOSE CLAMP .41 OD GREEN	1
18	300217-30	RIGHT SIDE PANEL	1
19	466-000	.25-20X.75 HHB	3
20	479-000	LOCK WASHER, .25" SPLIT	3
21	512-000	.25 WASHER	3
22	15209-014	DECAL - CHECK OIL	1
23	15209-036	PROP 65 WARNING DECAL	1
24	94442-002	NUT HEX M6-1.0	4
25	91861-007	PLUG KIT	1
26	15715-097	DECAL KIT, PACKAGING, BIG DOG STYLE, NO STACK	1
27	16200-511	MAINTENANCE KIT DECAL	1
28	300515-30	5W-30 OIL PER GALLON	0.625
29	OPM-140	OPERATORS MANUAL WL22	1

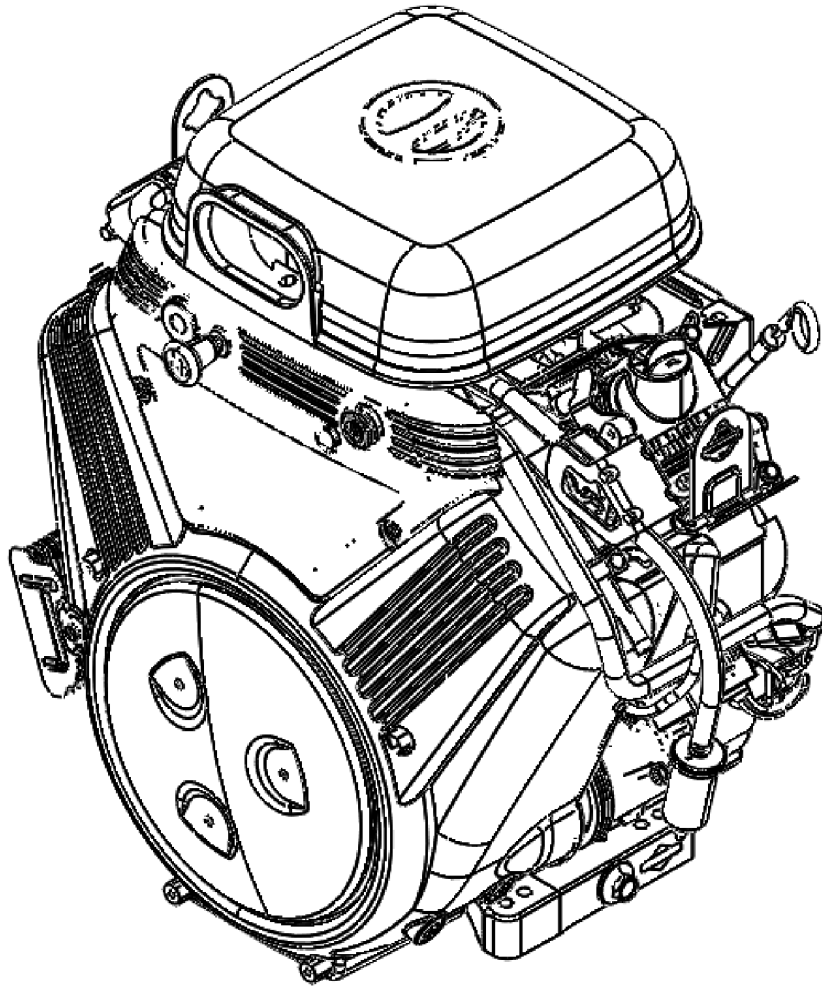
Engine & Generator Assembly



NOTE: TERMINALS NOT SHOWN

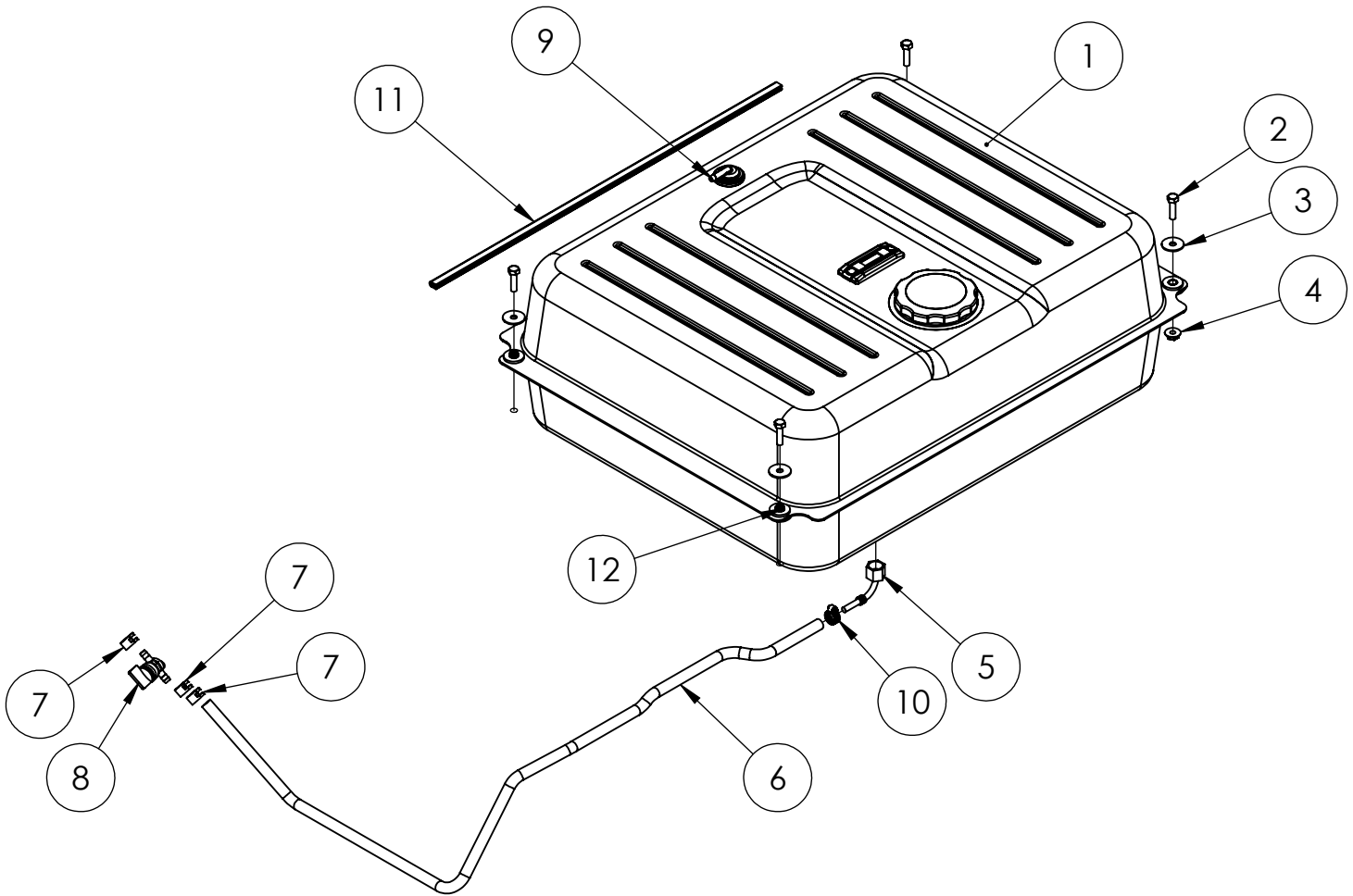
ITEM NO.	PART NUMBER	DESCRIPTION	QTY.
1	15144-014	ENGINE BAFFLE	1
2	16145-000	TERMINAL INSULATOR	1
3	16346-031	AME3_1PH_2P_J609B	1
4	16420-001	BRIGGS AND STRATTON 993CC 35HP ENGINE	1
5	22097-009	BATTERY CABLE POSITIVE 43IN UL	1
6	300349	OIL DRAIN VALVE	1
7	300349-1	OIL DRAIN ADAPTER	1
8	350590-20	MUFFLER, CRITICAL GRADE	1
9	480-000	5/16 SPLIT LOCKWASHER	4
10	481-000	LOCK 3/8 SPLIT	4
11	48602-003	TERMINAL FEMALE 16-14 AWG .250 TAB	1
12	48602-011	TERM MALE 12-10AWG .250X.032	1
13	57199-000	HHCS 5/16-24X5/8	4
14	62286-012	HOSE, 1/2"ID NEOPRENE	1
15	62999-004	HOSE CLAMP .69 OD	1
16	93704-000	SOC.HCS 3/8-16X1	4
17	95901-002	(BATTERY TERMINAL BOOT - RED 2-1AWG)	1

Engine Information



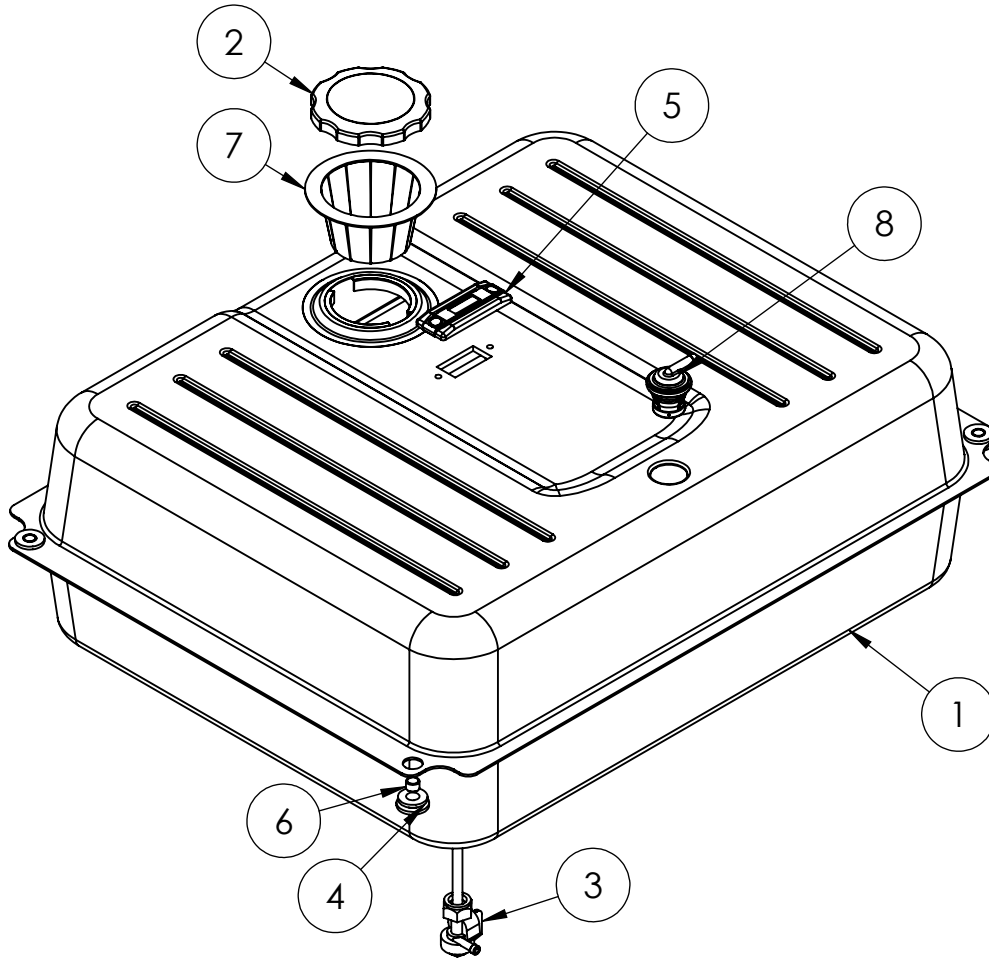
ITEM	PART NUMBER	DESCRIPTION	QTY
1	2-103	AIR FILTER	1
2	2-104	PRE-FILTER	1
3	2-105	OIL FILTER	1
4	2-106	FUEL FILTER	1
5	2-109	SPARK PLUG	2
6	300515-31	ENGINE OIL, PER QUART	3
ALL ITEMS LISTED IN THE ABOVE TABLE ARE INCLUDED WITH A 16200-011 MAINTENANCE KIT PURCHASE			
7	2-121	STARTER MOTOR	1
8	1-120	STARTER SOLENOID	1
9	2-115	RECTIFIER REGULATOR	1
10	2-114	FUEL PUMP	1
11	2-102	EXHAUST MANIFOLD GASKET	2
Contact WINCO service or your Briggs and Stratton dealer for full engine part support.			

Fuel System



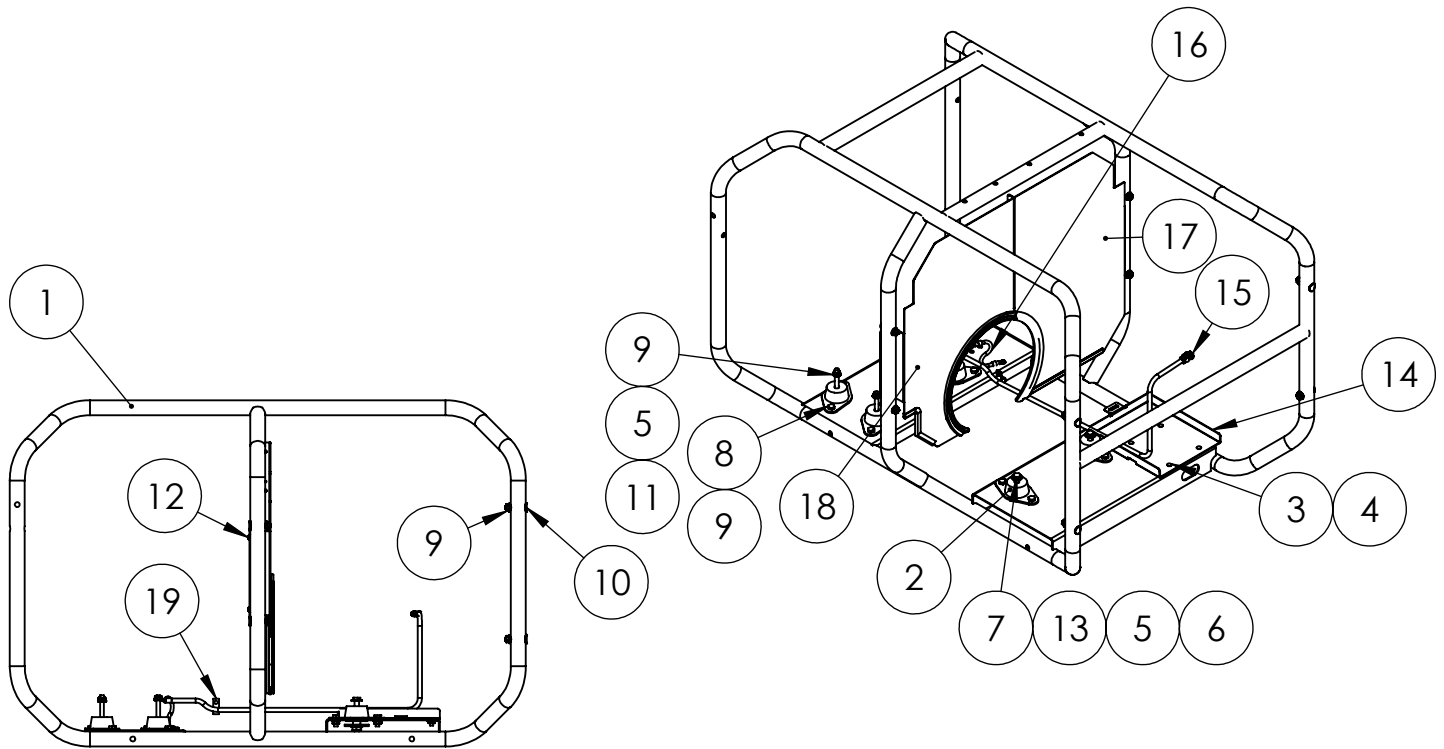
ITEM NO.	PART NUMBER	DESCRIPTION	QTY.
1	64024-014	FUEL TANK 15 GAL STEEL	1
2	439-000	.25-20 X 1 HHB	4
3	267-002	FLAT WSH 9/32X1X.063	4
4	16248-000	.25-20 FLANGE NUT	2
5	64024-101	90 DEGREE FUEL TANK ELBOW	1
6	40078-030	1/4IN ID HOSE 35.5IN	1
7	62999-001	HOSE CLAMP .5 OD RED	3
8	98771-005	FUEL VALVE 1/4" HOSE BARB	1
9	80903-002	SLOSH VALVE 1/4" HOSE	1
10	81018-009	HOSE CLAMP .625-.250	1
11	58684-031	EDGE TRIM 22"	1
12	479-000	LOCK WASHER, .25" SPLIT	2

Fuel Tank



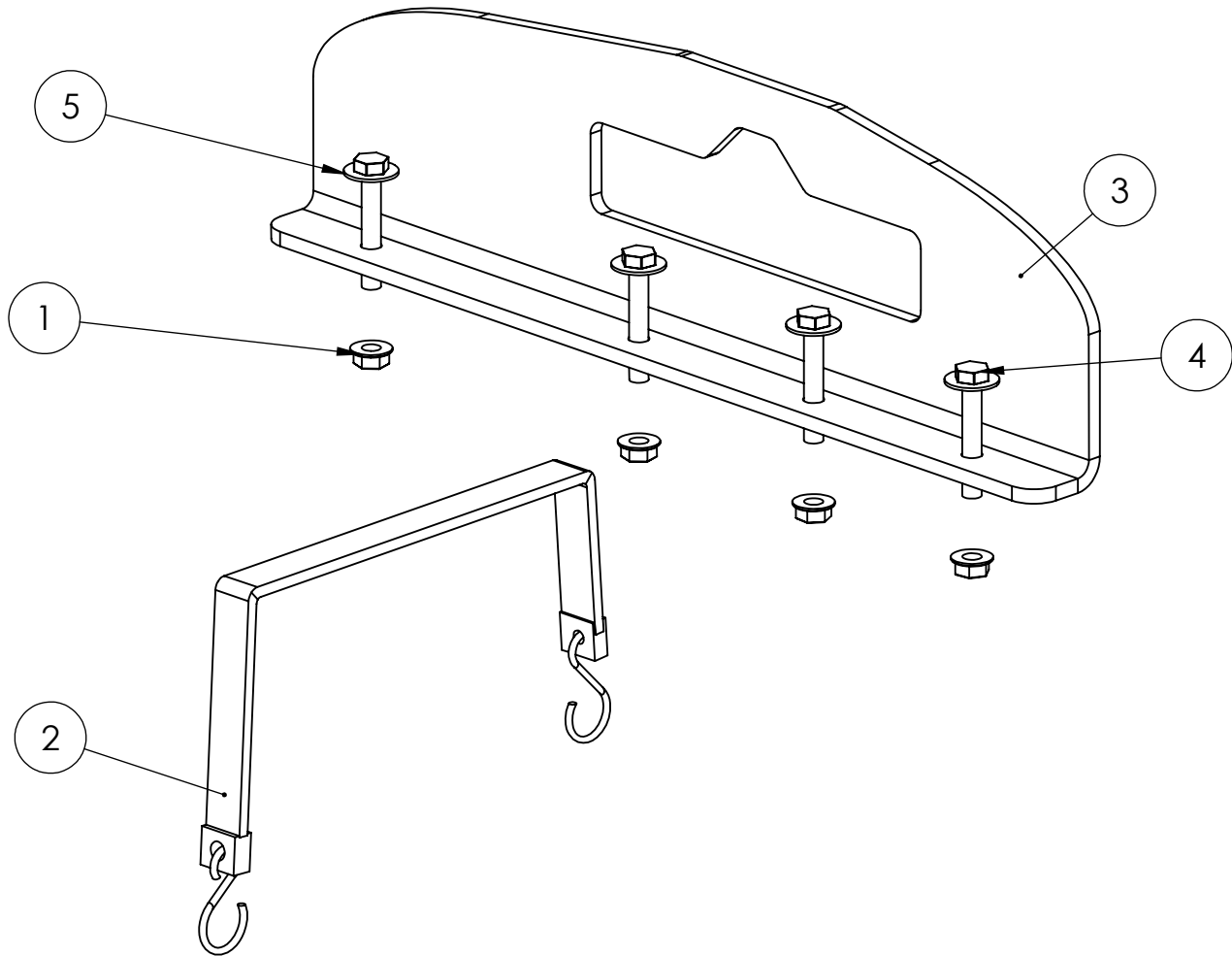
ITEM NO.	PART NUMBER	DESCRIPTION	QTY.
1	64024-014	FUEL TANK 15 GAL STEEL GASOLINE	1
2	64024-401	FUEL CAP, SEALED, AUDIBLE, TETHERED	1
3	64024-404	168B FUEL CONTROL VALVE	1
4	64024-406	RUBBER BUSHING	4
5	64024-409	FUEL LEVEL GAUGE, 180MM	1
6	64024-405	ANTI-CRUSH INSERT	4
7	64024-403	FUEL FILTER	1
ALL ITEMS LISTED IN THE TABLE ABOVE ARE INCLUDED WITH A 64024-14 FUEL TANK PURCHASE			
8	80903-002	SLOSH VALVE 1/4" HOSE	1
9	61273-262	TOUCH UP PAINT, BLACK 3048	1

Cradle & Hardware



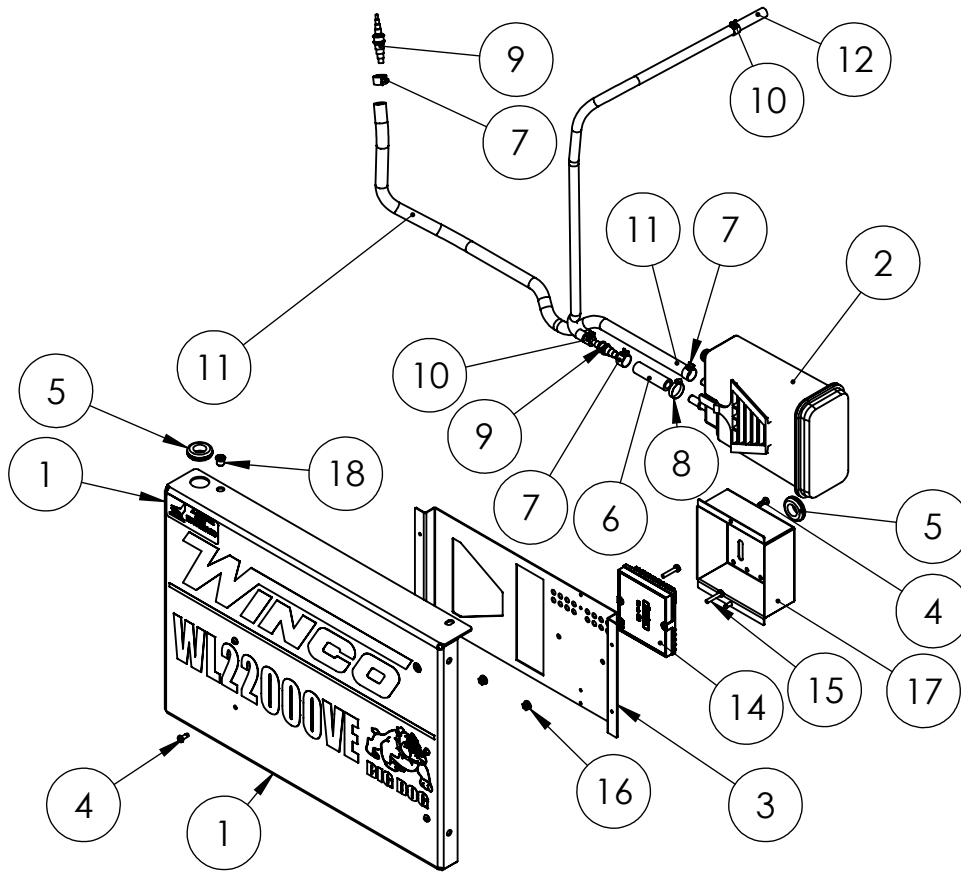
ITEM NO.	PART NUMBER	DESCRIPTION	QTY.
1	63073-064	WL22000 WELDED CRADLE	1
2	98807-000	SHOCKMOUNT 40 DURO	6
3	94980-001	THREAD STUD .25-20X.625	4
4	16248-000	.25-20 FLANGE NUT	4
5	98806-000	WASHER .406 X 2	6
6	16250-000	.375-16 FLANGE NUT	2
7	91658-008	HHCS 3/8-16X2-3/4 GR5	2
8	467-000	HHCS 5/16-18X.75	12
9	16249-000	.3125-18 FLANGE	24
10	23590-002	CURVED HEAD BOLT 5/16-18 X 1 3/4	8
11	91107-000	5/16-18 X 3.5	4
12	21698-001	TORX PAN HEAD SCREW #10	7
13	526-000	5/16 FLAT WASHER	2
14	15676-027	BATTERY TRAY WL22000	1
15	22097-012	BATTERY CABLE NEGATIVE 32IN UL	1
16	9769-145	LEAD WIRE ASSEMBLY	1
17	15687-067	HEAT SHIELD RIGHT WL22000	1
18	15687-068	HEAT SHIELD LEFT WL22000	1
19	97391-007	TUBE CLAMP/CUSH.WIRE 1/2	1

Lifting Eye Assembly



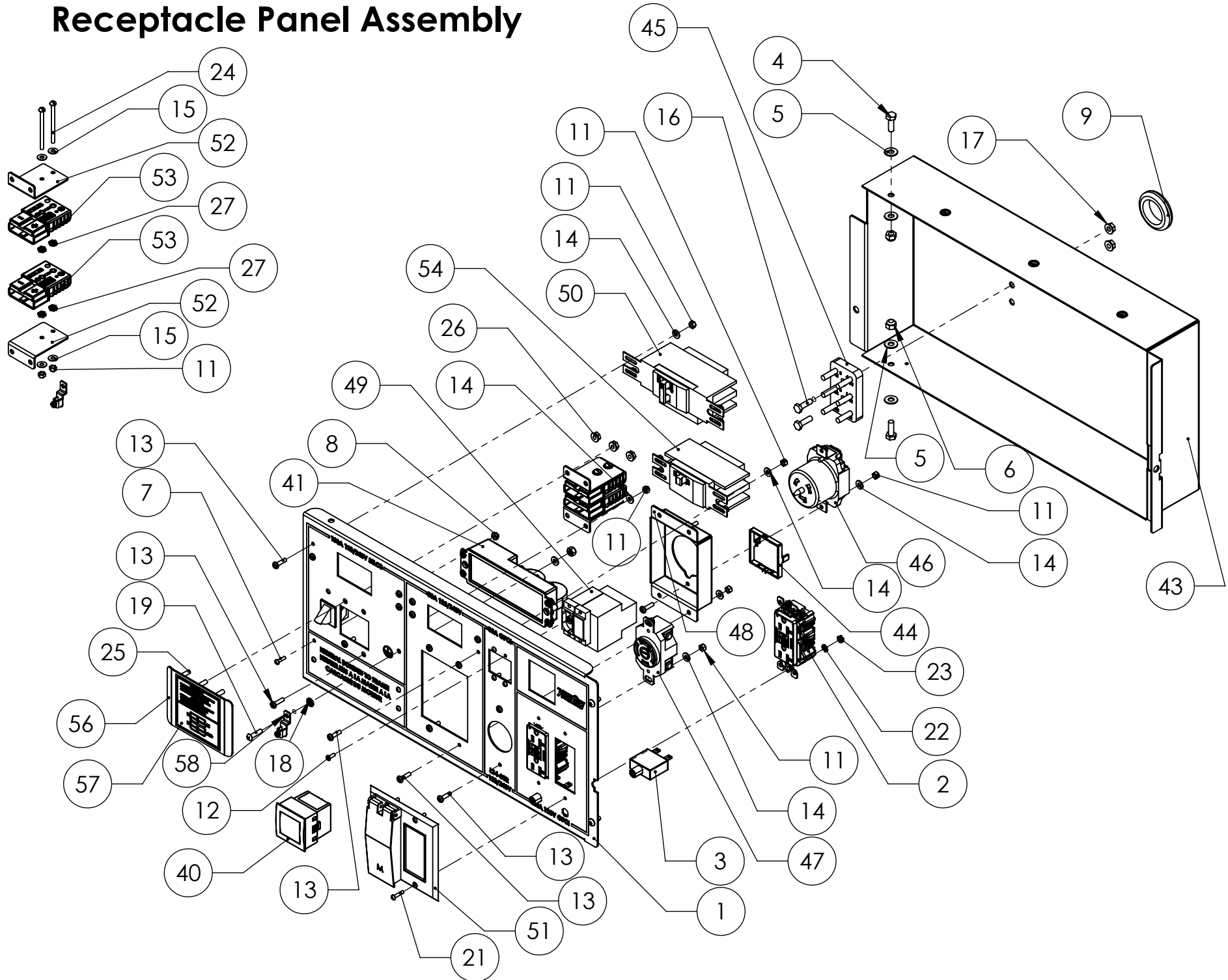
ITEM NO.	PART NUMBER	DESCRIPTION	QTY.
1	16249-000	.3125-18 FLANGE	4
2	16329-001	RUBBER STRAP, BATTERY HOLD DOWN	1
3	300148-29	LIFTING EYE WL22000	1
4	471-000	HHCS 5/16-18 X 2	4
5	526-000	FLAT WASHER 5/16_3/8	4

Left Side Panel Assembly



ITEM NO.	PART NUMBER	DESCRIPTION	QTY.
1	300216-27	LEFT SIDE PANEL	1
2	80900-000	15 GAL. CARBON CANISTER	1
3	81900-010	CARBON CANISTER MOUNTING BRACKET	1
4	21698-001	TORX PAN HEAD SCREW #10	6
5	23917-000	GROMMET .6875ID X 1	2
6	55505-023	HOSE .375 ID RUBBER 2.25IN	1
7	62999-004	HOSE CLAMP .69 OD	3
8	81018-008	HOSE CLAMP .875-.25	1
9	98590-003	HOSE REDUCER 1/8-5/16 X 1/4-7/16	2
10	62999-001	HOSE CLAMP .5 OD RED	2
11	55505-027	3/8" ID HOSE 25"	1
12	40078-018	1/4" ID HOSE 26IN	1
13	63941-001	DECAL - HOT SURFACES	1
14	16428-412	DSR VOLTAGE REGULATOR	1
15	9362-000	RHMS 10-24 X 1	2
16	99671-000	#10-24 HEX NUT	2
17	15224-100	AVR BOX	1
18	352125-1	1/4-20 RIVET NUT 22 GA-10GA	1
19	48602-003	TERMINAL FEMALE 16-14 AWG .250 TAB	6
20	48602-004	TERMINAL MALE 16-14 AWG .250 TAB	6

Receptacle Panel Assembly



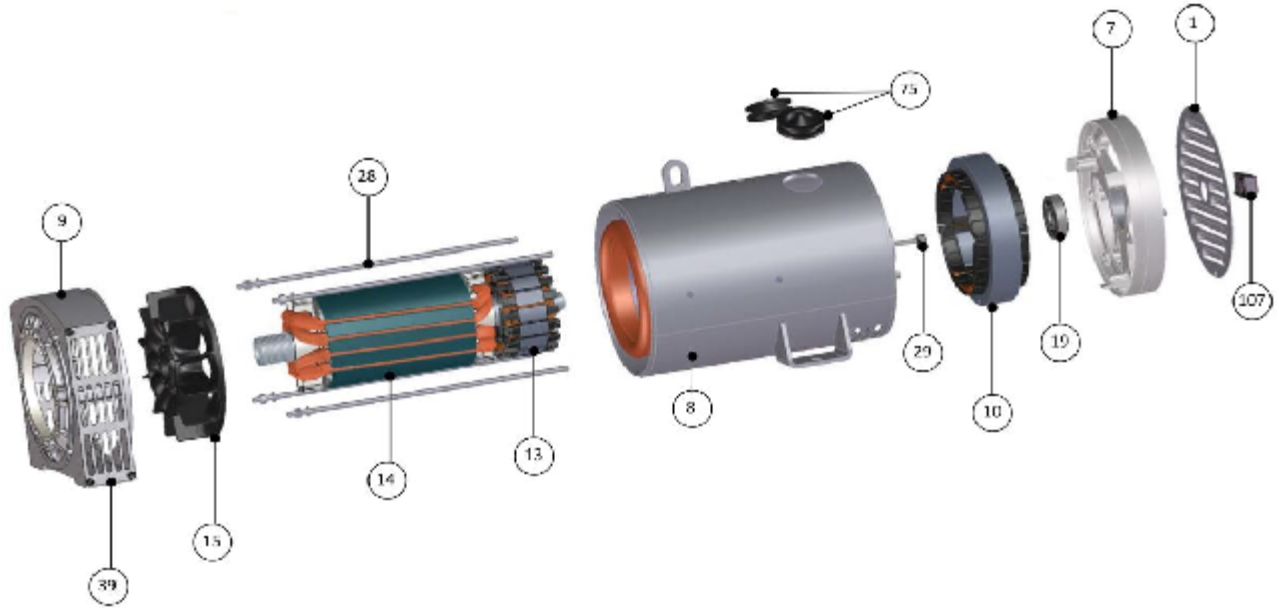
Receptacle Panel Assembly

ITEM NO.	PART NUMBER	DESCRIPTION	QTY.
1	15458-094	RECEPTACLE PANEL	1
2	15147-003	RECEPTACLE NEMA 5-20R GFCI DUPLEX	2
3	91286-001	CIRCUIT BREAKER, 20A, 1 PL	2
4	466-000	.25-20X.75 HHB	2
5	512-000	.25 WASHER	4
6	47517-000	.25-20 NYLOCK	2
7	7792-001	BZ RHMS 6-32X.5	4
8	51802-000	NUT HEX #6-32 NYLOCK	4
9	23917-005	GROMMET 1-5/16" ID	1
10	21698-001	TORX PAN HEAD SCREW #10	2
11	95985-000	#8-32 NYLOK HEX NUT	20
12	6917-001	RHMS 6-32 X .375 BLACK ZINC	4
13	24198-001	BHMS #8-32 x .625 BLACK	18
14	598-000	#10 WASHER	19
15	511-000	#8 FLATWASHER	4
16	75139-020	HHCS M6-1X20MM ZINC	2
17	64841-001	M6-1.0 FLANGE NUT ZINC	2
18	21975-000	#10 INT. TOOTH LOCKWASHER	1
19	420-001	BZ RHMS 10-24X3/4 PHILLIPS	1
20	5315-000	NUT HEX 10-24 NYLON	1
21	7792-000	RHMS 6-32 X .625	4
22	22989-000	#6 LOCKWASHER	4
23	394-000	NUT HEX #6-32	4
24	21977-000	RHMS 8-32 X 2.25	2
25	95568-000	THREAD STUD 10-24 X .625	3
26	99671-000	#10-24 HEX NUT	3
27	5113-000	NUT HEX # 8	4
28	4158-000	TERMINAL RING 16-14 AWG #10	4
29	48602-003	TERMINAL FEMALE 16-14 AWG .250 TAB	4
30	4156-000	TERMINAL RING 12-10 #10 STUD	2
31	22370-007	TERMINAL SPADE 16/14AWG #10STUD	5
32	21114-000	TERMINAL, RING, 8AWG, #10 STUD	8
33	22370-013	TERMINAL, SPADE, 12-10AWG, #10 STUD	4
34	EE23309	BUSHING, #2 AWG TO #8 AWG	4
35	EE23101	CONTACT, #2 AWG, 120A, 600V	4
36	4160-000	TERMINAL, RING, 16-14AWG, 1/4 STUD	2
37	91320-001	TERM. FEMALE, 12-10 AWG	6
38	48602-024	TERMINAL FEMALE 16-14AWG .187	2
39	20531-000	TERMINAL RING 12-10AWG 5/16 STUD	1
40	58166-009	DISPLAY MODULE	1
41	58166-010	TERMINAL BLOCK MODULE	1

Receptacle Panel Assembly Continued

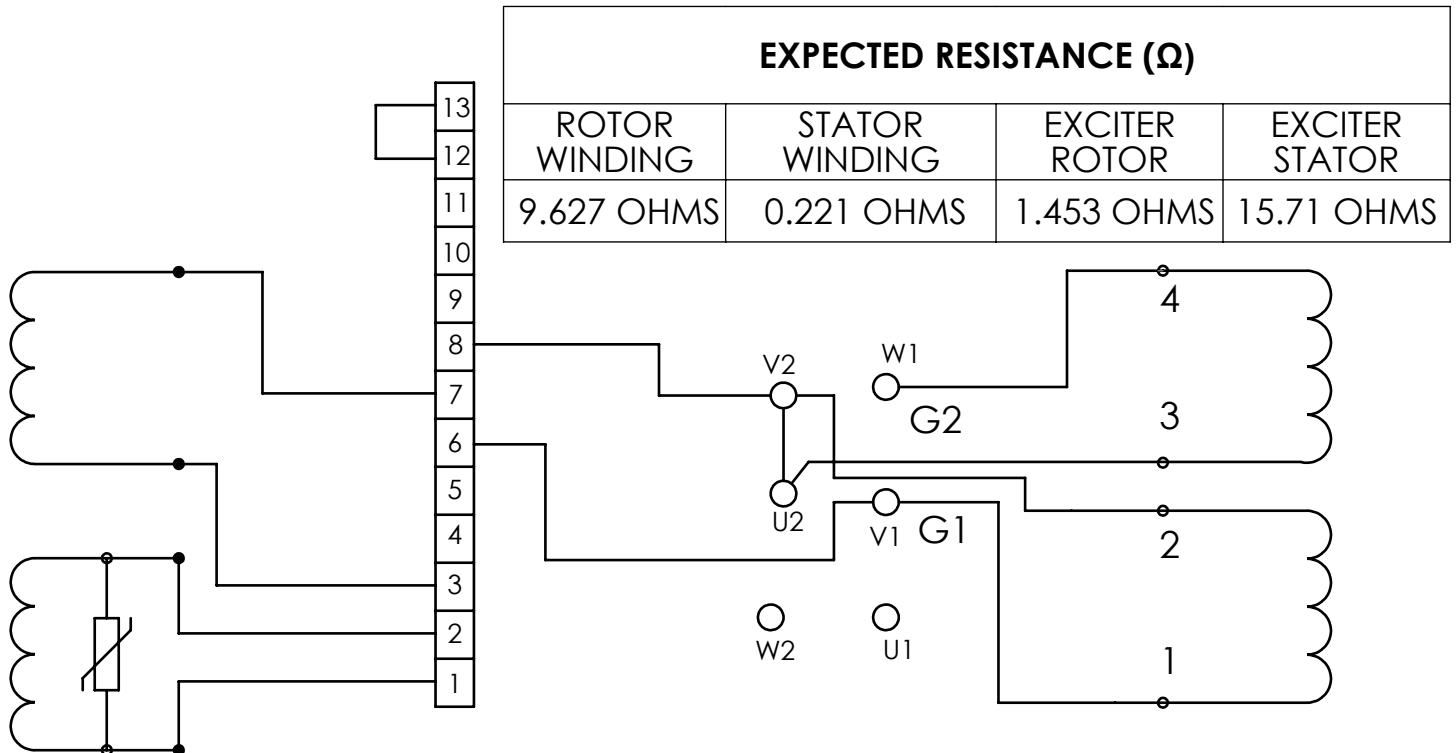
ITEM NO.	PART NUMBER	DESCRIPTION	QTY.
42	58165-18	DISPLAY MODULE CABLE	1
43	15221-067	RECEPTACLE BOX	1
44	58166-009	DISPLAY MODULE MOUNTING CLIP	1
45	16346-131	TERMINAL BLOCK	1
46	91889-000	RECEPT 125/250V 50A	1
47	97360-000	RECEPTACLE, NEMA L14-30R 120_240V	1
48	92072-010	50 AMP RECEPTACLE BRACKET	1
49	16488-018	CIR.BRK.30A-2PL-240V-GFCI-CARLING	1
50	57030-021	CIR. BRK. 100A-2PL-240V	1
51	15620-007	GFCI COVER 5-20R 2 GANG MULBERRY	1
52	300117-6	CONNECTOR SUPPORT	2
53	EE2326	HOUSING, GRAY, 2PL, 120A, 600V	2
54	57030-000	CIR. BRK. 50A-2PL-240V	1
55	71444-004	SWITCH N.C.	1
56	G72138	COVER	1
57	Z25272	DECAL, LOAD CONNECTIONS - 1PH 4 CAVITY	1
58	48042-001	TERMINAL, GROUND LUG, 6-14	1

Generator Information

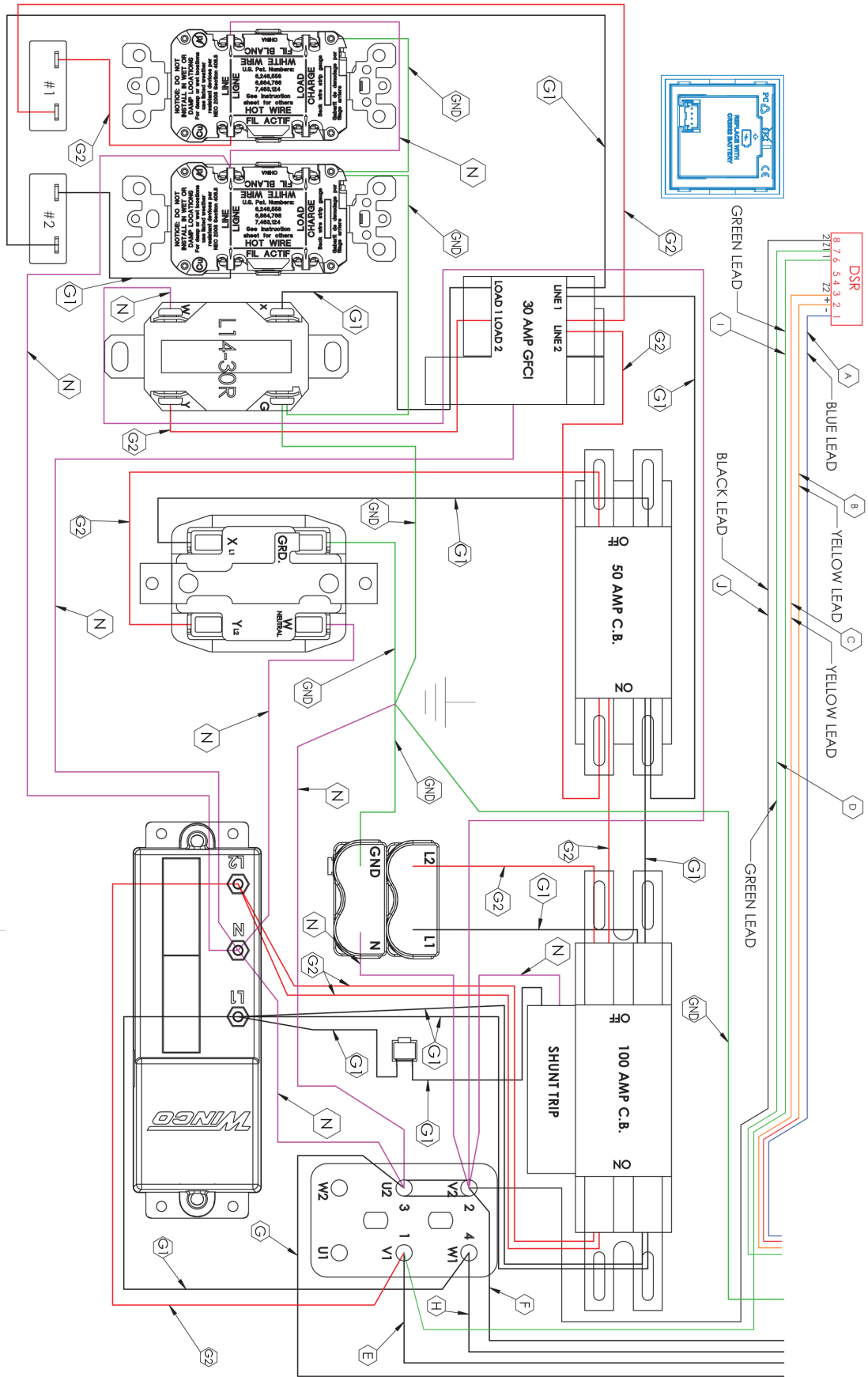


ITEM #	PART NUMBER	DESCRIPTION	QTY
	16346-031	COMPLETE GEN END ASSEMBLY	1
19	54665-005	REAR BEARING 6305 2RS	1
75	16346-231	CABLE GROMMET	2
	16428-412	VOLTAGE REGULATOR	1

Individual parts not listed here may be obtained from www.meccalte.com. WINCO Inc sells the complete generator end or the individual parts listed above.



Receptacle Panel Wiring Diagram



Engine Wiring

Typical Regulated Wiring Diagram

