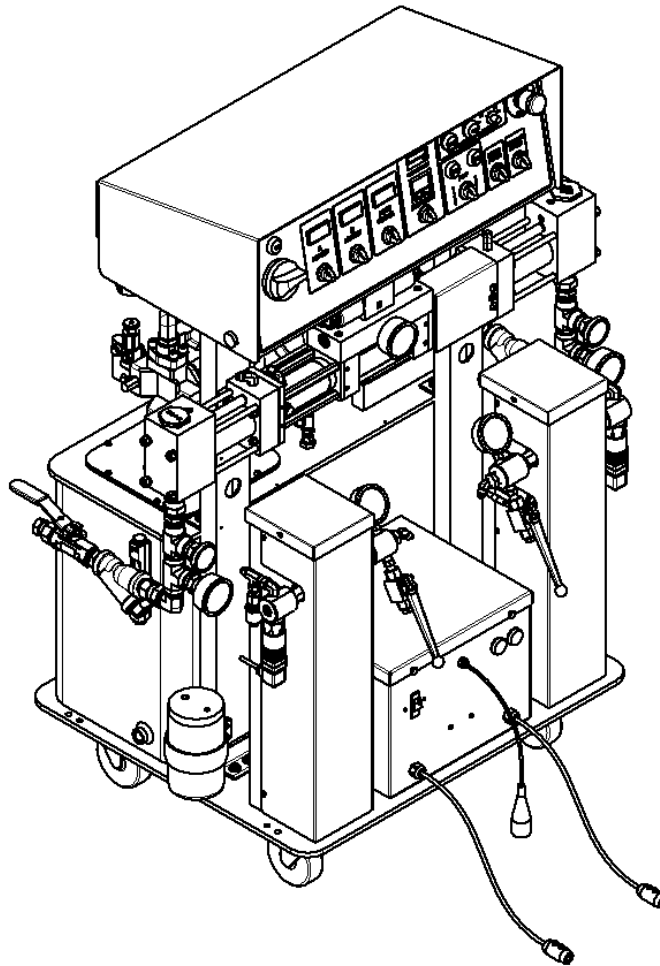




PH(X)-25 / PH(X)-40 Proportioner Service Manual

Ref. # MN-04014
Revision 4.9



FOR PROFESSIONAL USE ONLY

Not approved for use in European explosive atmosphere locations



1 Komo Dr.
Lakewood, NJ 08701
Phone: 732-415-4400
URL: <http://www.polymacusa.com>

Table of Contents

1	WARRANTY	4
2	SAFETY AND HANDLING	6
3	CHARACTERISTICS	8
3.1	PRINCIPAL HEATING SYSTEM	8
3.2	HOSE HEATING SYSTEM	8
3.3	DOUBLE ACTING OPPOSED PISTON METERING PUMPS	9
3.4	PRESSURE BALANCE CONTROL SYSTEM	9
4	TECHNICAL SPECIFICATIONS	10
4.1	PH(X)-25 ELECTRICAL	10
4.2	PH(X)-40 ELECTRICAL	11
4.3	PH(X)-25 MECHANICAL	12
4.4	PH(X)-40 MECHANICAL	12
5	DESCRIPTION	14
6	INSTALLATION	18
6.1	HEATED HOSE INSTALLATION	20
6.2	HOSE HEAT TRANSFORMER	23
7	PROPORTIONER PURGING	24
8	PRESSURE BALANCE CONTROL	26
8.1	OPERATION	26
9	DIGITAL TEMPERATURE CONTROLLER	27
10	START-UP	29
11	SHUT-DOWN	32
11.1	SHORT-TERM	32
11.2	LONG-TERM	32
12	TROUBLESHOOTING	33
12.1	HEATERS	34
12.2	HYDRAULIC DRIVE SYSTEM	38
12.3	METERING PUMP-LINE	40
12.4	HOSE HEATING	44
12.5	PRESSURE BALANCE CONTROL	47
13	MAINTENANCE	48
13.1	INLET MATERIAL SCREENS	49
13.2	ISO LUBRICATION SYSTEM	50

13.3	HYDRAULIC DRIVE SYSTEM	51
13.4	METERING PUMP-LINE	52
13.5	PUMP BASE SERVICE	52
13.6	PUMP SEAL REPLACEMENT	53
13.7	METERING PUMP REMOVAL	53
13.8	MATERIAL HEATER	54
13.8.1	THERMOCOUPLE REPLACEMENT	54
14	HYDRAULIC OIL SPECIFICATIONS	56
14.1	MANUFACTURERS	56
15	PARTS IDENTIFICATION	57
15.1	HYDRAULIC SEAL ASSEMBLY	57
15.2	HYDRAULIC PISTON ASSEMBLY	58
15.3	HYDRAULIC CYLINDER ASSEMBLY	59
15.4	COMPLETE HYDRAULIC CYLINDER ASSEMBLY	60
15.4.1	HYDRAULIC CYLINDER REBUILD KIT	61
15.5	"R" PUMP ASSEMBLY	62
15.5.1	"R" PUMP REBUILD KITS	65
15.6	"A" PUMP ASSEMBLY	67
15.6.1	"A" PUMP REBUILD KITS	70
15.7	PUMP-LINE ASSEMBLY	74
15.7.1	PUMP BASE REPAIR KIT	75
15.8	INLET MONITORING ASSEMBLY	76
15.9	Y-STRAINER ASSEMBLY "A" SIDE	77
15.10	Y-STRAINER ASSEMBLY "R" SIDE	78
15.11	HEATER ASSEMBLY	79
15.11.1	HEATER THERMOCOUPLE KIT	85
15.12	PRESSURE TRANSDUCER ASSEMBLY	85
15.13	BLEED VALVE KIT	86
15.14	MOTOR-LINE ASSEMBLY	87
15.15	TRANSFORMER COVER ASSEMBLY	89
15.16	FRAME ASSEMBLY	91
15.17	FINAL ASSEMBLY	93
15.18	PH(X)-25/PH(X)-40 HOSES	96
15.18.1	HALF INCH HOSE KIT	96
15.19	LUBE BOTTLE COMPONENTS	97

List of Figures

1	Pressure Balance Control Logic Diagram	9
2	Proportioner Dimensions	13
3	Component Identification - Front	14
4	Component Identification - Back	15
5	Front Panel Description	16
6	Electrical Installation	18
7	Component Identification - Misc	19
8	Temperature Sensing Unit	21
9	Transformers	23
10	Metering Pump-Line (PL-1A/PL-2)	40
11	Hydraulic Seal Assembly	57
12	Hydraulic Piston Assembly	58
13	Hydraulic Cylinder Assembly (HI-05025A)	59
14	Complete Hydraulic Cylinder Assembly (HI-01)	60
15	"R" Pump Assembly (PU-05002-XXX)	62
16	"A" Pump Assembly (PU-05001-XXX)	67
17	Pump-Line Assembly (PL-1A/PL-2)	74
18	Inlet Monitoring Assembly (KT-05005)	76
19	Y-Strainer Assembly "A" Side (YS-1)	77
20	Y-Strainer Assembly "R" Side (YS-2)	78
21	Heater Assembly, 4 Rod	79
22	Heater Assembly, 6 Rod	81
23	Heater Assembly, 4 Rod, "A" Side / "R" Side	83
24	Heater Assembly, 6 Rod, "A" Side / "R" Side	84
25	Pressure Transducer Assembly (EL-200)	85
26	Bleed Valve Kit (202455)	86
27	Motor-Line Assembly (ML-1/ML-2/ML-3/ML-4)	87
28	Motor Comparison	88
29	Transformer Cover Assembly	89
30	Frame Assembly (FR-1)	91
31	PH(X)-25/PH(X)-40 Final Assembly	93
32	Proportioner Hoses	96
33	Lube Bottle Assembly	97

1 WARRANTY

Polyurethane Machinery Corporation (hereinafter “PMC”) provides this **LIMITED WARRANTY** (hereinafter “Warranty”) to the original purchaser (hereinafter “Customer”) covering this equipment and the original PMC manufactured accessories delivered with the equipment (hereinafter “Product”) against defects in material or workmanship of the Product (hereinafter “Defect” or “Defective”) for a period of one (1) year from the date of first purchase as shown on the original PMC invoice (hereinafter “Warranty Period”)

If during the Warranty Period under normal use, the Product is suspected by Customer to be Defective in material or workmanship, it is Customer’s responsibility to contact PMC and return the Product to PMC as directed by PMC, freight prepaid. If PMC determines that the Product is Defective and that such Defect is covered by this Warranty, PMC will credit Customer for the reasonable freight charges incurred by Customer in returning the Defective Product to PMC, and PMC (or its authorized agent) will, at PMC’s option, repair or replace the Product, subject to the following:

1. Original Invoice: The original invoice must be kept as proof of the date of first sale and the Product serial number. The Warranty does not cover any Product if the Original Invoice appears to have been modified or altered, or when the serial number on the Product appears to have been altered or defaced.
2. Product Maintenance: It is the Customer’s responsibility to maintain the Product properly. See your maintenance schedule and owner’s manual for details. The Warranty does not cover an improperly maintained Product.
3. Non-PMC Components and Accessories: Non-PMC manufactured components and accessories that are used in the operation of the Product are not covered by this Warranty. Such components and accessories shall be subject to the warranty offered to the Customer, if any, by the original manufacturer of such component or accessory.
4. Other Warranty Exclusions: The Warranty does not cover any Product that PMC determines has been damaged or fails to operate properly due to misuse, negligence, abuse, carelessness, neglect, or accident. By way of example only, this includes:
 - Normal wear and tear.
 - Improper or unauthorized installation, repair, alteration, adjustment or modification of the product.
 - Use of heating devices, pumping equipment, dispensers, or other parts or accessories with the product that have not been approved or manufactured by PMC.
 - Failure to follow the operating instructions and recommendations provided by PMC.
 - Cosmetic damage.
 - Fire, flood, “acts of God,” or other contingencies beyond the control of PMC.

THE WARRANTY DESCRIBED HEREIN IS THE EXCLUSIVE REMEDY FOR THE CUSTOMER AND IS IN LIEU OF ALL OTHER WARRANTIES, EXPRESS, IMPLIED, STATUTORY OR OTHERWISE, AND THE IMPLIED WARRANTIES OF MERCHANTABILITY AND FITNESS FOR A PARTICULAR PURPOSE AND ALL OTHER WARRANTIES ARE HEREBY DISCLAIMED. TO THE FULLEST EXTENT PERMITTED BY LAW, PMC SHALL NOT BE RESPONSIBLE, WHETHER BASED IN CONTRACT, TORT (INCLUDING, WITHOUT LIMITATION, NEGLIGENCE), WARRANTY OR ANY OTHER LEGAL OR EQUITABLE GROUNDS, FOR ANY CONSEQUENTIAL, INDIRECT, INCIDENTAL, LOST PROFITS, SPECIAL, PUNITIVE OR EXEMPLARY DAMAGES, WHETHER TO PERSON OR PROPERTY, ARISING FROM OR RELATING TO THE PRODUCT, EVEN IF PMC HAS BEEN ADVISED OF THE POSSIBILITY OF SUCH LOSSES OR DAMAGES.

- Non-Warranty Service by PMC: If PMC determines that the suspected Defect of the Product is not covered by this Warranty, disposition of the Product will be made pursuant to the terms and conditions of PMC's written estimate on a time and materials basis.
- Continuing Warranty for Products Repaired or Replaced under Warranty: Following the repair or replacement of a Product covered by this Warranty, such Product will continue to be subject to the original Warranty for the remainder of original Warranty Period or for three (3) months from the repair or replacement date, whichever is longer.
- No Rights Implied: Nothing in the sale, lease or rental of any Product by PMC shall be construed to grant any right, interest or license in or under any patent, trademark, copyright, trade secret or other proprietary right or material owned by anyone; nor does PMC encourage the infringement of same.
- Exclusive Warranty: This writing is the final, complete, and exclusive expression of the Warranty covering the Product. Any statements made by PMC, its employees or agents that differ from the terms of this Warranty shall have no effect. It is expressly understood that Customer's acceptance of this Warranty, by performance or otherwise, is upon and subject solely to the terms and conditions hereof, and any additional or different terms and conditions proposed or expressed by Customer or anyone, whether in writing or otherwise, are null and void unless specifically agreed to in writing by an Officer of PMC.

2 SAFETY AND HANDLING

This chapter contains important information on the safety, handling, and use of your PH Series Proportioner.



Before installing the PH Series Proportioner and start-up, carefully read all the technical and safety documentation included in this manual. Pay special attention to the information in order to know and understand the operation and the conditions of use of the PH Series Proportioner. All of the information is aimed at improving user safety and avoiding possible breakdowns from the incorrect use of the PH Series Proportioner.

WARNING! Symbol is presented in front of information to alert of a situation that might cause serious injuries if the instructions are not followed.

CAUTION! Symbol is presented in front of information that indicates how to avoid damage to the proportioner or how to avoid a situation that could cause issues.

NOTE! Symbol is presented in front of relevant information of a procedure being carried out.

Careful study of this manual will enable the operator to know the characteristics of the PH Series Proportioner and the operating procedures. By following the instructions and recommendations contained herein, you will reduce the potential risk of accidents in the installation, use, and maintenance of the PH Series Proportioner. You will provide a better opportunity for greater output, incident-free operation for a longer time, and the possibility of detecting and resolving problems quickly and simply.






Keep this Operations Manual for future consultation of useful information at all times. If you lose this manual, ask for a new copy from your PMC Service Center or go on line at our web site (www.polymacusa.com).

The PH Series Proportioner has been designed and built for the application of polyurea chemical systems, polyurethane foam chemical systems, and some two-component epoxy systems

WARNING! The design and configuration of the PH Series Proportioner does not allow its use in potentially explosive atmospheres or the pressure and temperature limits described in the technical specifications of this manual to be exceeded.

Always use liquids and solvents that are compatible with the unit. If in doubt, consult your authorized PMC distributor.

When working with the PH Series Proportioner, it is recommended that the operator wear suitable clothing and elements of personal protection, including, without limitation, gloves, protective goggles, safety footwear and face masks. Use breathing equipment when working with the PH Series Proportioner in enclosed spaces or in areas with insufficient ventilation. The introduction and follow-up of safety measures must not be limited to those described in this manual. Before starting up the PH Series Proportioner, a comprehensive analysis must be made of the risks derived from the products to be dispensed, the type of application, and the working environment.

	<p><i>To prevent possible injury caused by incorrect handling of the raw materials and solvents used in the process, carefully read the Material Safety Data Sheet (SDS) provided by your supplier. Deal with the waste caused according to current regulations.</i></p>
	<p><i>To avoid damage caused by the impact of pressurized fluids, do not open any connection or perform maintenance work on components subject to pressure until the pressure has been completely eliminated.</i></p>
	<p><i>Use suitable protection when operating, maintaining or being present in the area where the equipment is functioning. This includes, but is not limited to, the use of protective goggles, gloves, shoes and safety clothing and breathing equipment.</i></p>
	<p><i>The equipment includes components that reach high temperatures and can cause burns. Hot parts of the equipment must not be handled or touched until they have cooled completely.</i></p>
	<p><i>To prevent serious injury through crushing or amputation, do not work with the equipment without the safety guards installed on the moving parts. Make sure that all the safety guards are correctly reinstalled at the end of the repair or maintenance work of the equipment.</i></p>

3 CHARACTERISTICS

The PH Series Proportioner has been designed and built for the application of polyurea chemical systems, polyurethane foam chemical systems, and some specific two-component epoxy systems.

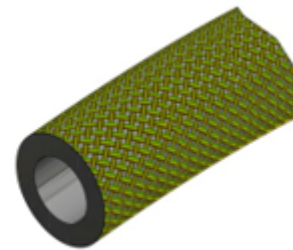
3.1 PRINCIPAL HEATING SYSTEM

The Proportioner consist of two (2) independent Material Heaters without internal seals. Each heater for the PH(X)-40 Proportioner has six (6) Heating Elements rated at 1,250 1,500 or 1,750 watts each, giving the Proportioner a total heat of 15,000, 18,000 or 21,000 watts. The Material Heater systems for all PH Series Proportioners contain the necessary control and safety components for their precise operation. The Material Heater design allows a temperature differential (*DeltaT*) of 90°F (32°C) and material application temperatures of up to 190°F (88°C) under normal ambient temperatures.

3.2 HOSE HEATING SYSTEM

The PH(X)-40 Proportioner is designed with a 5 kVA (120 V) Isolation Transformer that enables effective heating of up to a total hose length of 410 feet (123 meters). Both systems include an innovative hose heating concept in which the continuous braid tinned-copper jacket is distributed evenly around the circumference of the hose providing a uniform heating watt density and precise control of the material application temperature. This hose heating element design is extremely resistant to fatigue failure.

100% circumferential coverage produces the most
uniform distribution of heat available.



3.3 DOUBLE ACTING OPPOSED PISTON METERING PUMPS

The opposed double acting Pump Line is driven by a dual rod Hydraulic Cylinder. The in-line pump system with opposed piston pumps provides a constant volume and guarantees uniform pressures in both directions of pump movement. Different sized pumps allow for various volumetric ratios to be achieved (1:4 to 1:1 to 4:1) between the chemical components used in the process.

3.4 PRESSURE BALANCE CONTROL SYSTEM

The Pressure Balance Control (PBC) system performs an automatic shutdown when a chemical imbalance occurs. When the system is turned off, the Proportioner will perform as if there is no PBC system and will continue pumping material. When the system is turned on, it will continually monitor the pressure between the two chemicals (known as the **pressure differential**). If the pressure differential becomes equal to or greater than the **maximum allowable pressure differential**, the pumps will be shut off.

The Pressure Balance Control system can be simplified into a logic box diagram with inputs and outputs. There are five inputs: the power supply from the main console, the pressure readings from each chemical, the maximum pressure, and the maximum allowable pressure differential. Inside the logic box, the actual pressure differential of the chemicals is compared to the maximum allowable pressure differential. Depending on the circumstances of all five inputs, there are only two possible outputs: either the pumps will continue to pressurize and move material, or the pumps will shut off and flow will be lost.

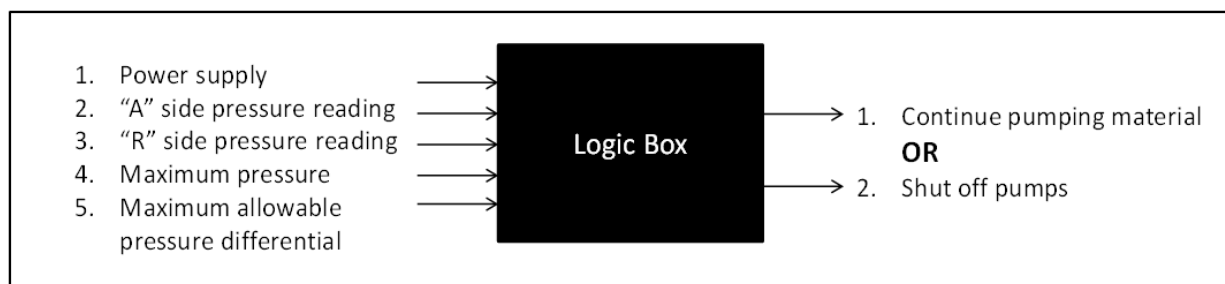


Figure 1: Pressure Balance Control Logic Diagram

4 TECHNICAL SPECIFICATIONS

4.1 PH(X)-25 ELECTRICAL

PH(X)-25, Single Phase, 208-240V

Pressure	Heater Size	Electrical Consumption
2,000PSI (PH-25) 3,000PSI (PHX-25)	8.0kW(4.0kW/side)	71A
	10.0kW(5.0kW/side)	79A
	12.0kW(6.0kW/side)	88A
	14.0kW(7.0kW/side)	97A

PH(X)-25, Three Phase, 208-240V

Pressure	Heater Size	Electrical Consumption
2,000PSI (PH-25) 3,000PSI (PHX-25)	8.0kW(4.0kW/side)	43A
	10.0kW(5.0kW/side)	48A
	12.0kW(6.0kW/side)	53A
	14.0kW(7.0kW/side)	58A

PH(X)-25, Three Phase, 400V

Pressure	Heater Size	Electrical Consumption
2,000PSI (PH-25) 3,000PSI (PHX-25)	8.0kW(4.0kW/side)	28A
	10.0kW(5.0kW/side)	31A
	12.0kW(6.0kW/side)	34A
	14.0kW(7.0kW/side)	37A

Material Heater Power	Power Consumption
4.0kW/side(2x2,000W/side)	8.0kW
5.0kW/side(2x2,500W/side)	10.0kW
6.0kW/side(2x3,000W/side)	12.0kW
7.0kW/side(2x3,500W/side)	14.0kW
Hose Transformer	Power Consumption
90V	3kVA
120V	5kVA
Electrical Motor	Power Consumption
PH(X)-25	3hp

CAUTION! Inside the console is a Terminal Strip for connecting the main power (wire not supplied) to the PH Series Proportioner. This electrical connection must be made only by a qualified electrician.

4.2 PH(X)-40 ELECTRICAL

PH(X)-40, Single Phase, 208-240V

Pressure	Heater Size	Electrical Consumption
2,000PSI (PH-40)	12.0kW(6.0kW/side)	105A
	15.0kW(7.5kW/side)	118A
3,000PSI (PHX-40)	18.0kW(9.0kW/side)	131A
	21.0kW(10.5kW/side)	144A

PH(X)-40, Three Phase, 208-240V

Pressure	Heater Size	Electrical Consumption
2,000PSI (PH-40)	12.0kW(6.0kW/side)	62A
	15.0kW(7.5kW/side)	70A
3,000PSI (PHX-40)	18.0kW(9.0kW/side)	77A
	21.0kW(10.5kW/side)	85A

PH(X)-40, Three Phase, 400V

Pressure	Heater Size	Electrical Consumption
2,000PSI (PH-40)	12.0kW(6.0kW/side)	41A
	15.0kW(7.5kW/side)	46A
3,000PSI (PHX-40)	18.0kW(9.0kW/side)	50A
	21.0kW(10.5kW/side)	55A

Material Heater Power	Power Consumption
6.0kW/side(3x2,000W/side)	12.0kW
7.5kW/side(3x2,500W/side)	15.0kW
9.0kW/side(3x3,000W/side)	18.0kW
10.5kW/side(3x3,500W/side)	21.0kW
Hose Transformer	Power Consumption
90V	3kVA
120V	5kVA
Electrical Motor	Power Consumption
PH(X)-40	5hp

CAUTION! Inside the console is a Terminal Strip for connecting the main power (wire not supplied) to the PH Series Proportioner. This electrical connection must be made only by a qualified electrician.

4.3 PH(X)-25 MECHANICAL

	120 Pumps	80 Pumps
Maximum Working Pressure	2,000PSI(14MPa, 138bar)	3,000PSI(21MPa, 207bar)
Maximum Production	25lb/min(12.5kg/min) @ 1,500psi	1.4GPM(5.6L/min) @ 1,750psi
Minimum Production	2.0lb/min(1kg/min)	
Gallons per Cycle	0.0312gal/cycle(0.1182L)	0.021gal/cycle(0.0786L)
Cycles per 55gal(200L) Drum	1,763 cycles	2,619 cycles
Maximum Hose Length		
3kVA Transformer	310ft(93m)	
5kVA Transformer	410ft(125m)	
Approximate Weight		
Hydraulic Tank Empty	420lbs(190kg)	
Hydraulic Tank Full (20gal)	594lbs(269kg)	
Overall Dimensions(W x D x H)		
40in x 29in x 52in (100cm x 73cm x 133cm)		

4.4 PH(X)-40 MECHANICAL

	120 Pumps	80 Pumps
Maximum Working Pressure	2,000PSI(14MPa, 138bar)	3,500PSI(24MPa, 241bar)
Maximum Production	40lb/min(14kg/min) @ 1,000psi	2.5GPM(1.0L/min) @ 2,500psi
Minimum Production	2.0lb/min(1kg/min)	
Gallons per Cycle	0.0312gal/cycle(0.1182L)	0.021gal/cycle(0.0786L)
Cycles per 55gal(200L) Drum	1,763 cycles	2,619 cycles
Maximum Hose Length		
3kVA Transformer	310ft(93m)	
5kVA Transformer	410ft(125m)	
Approximate Weight		
Hydraulic Tank Empty	420lbs(190kg)	
Hydraulic Tank Full (20gal)	594lbs(269kg)	
Overall Dimensions(W x D x H)		
40in x 29in x 52in (100cm x 73cm x 133cm)		

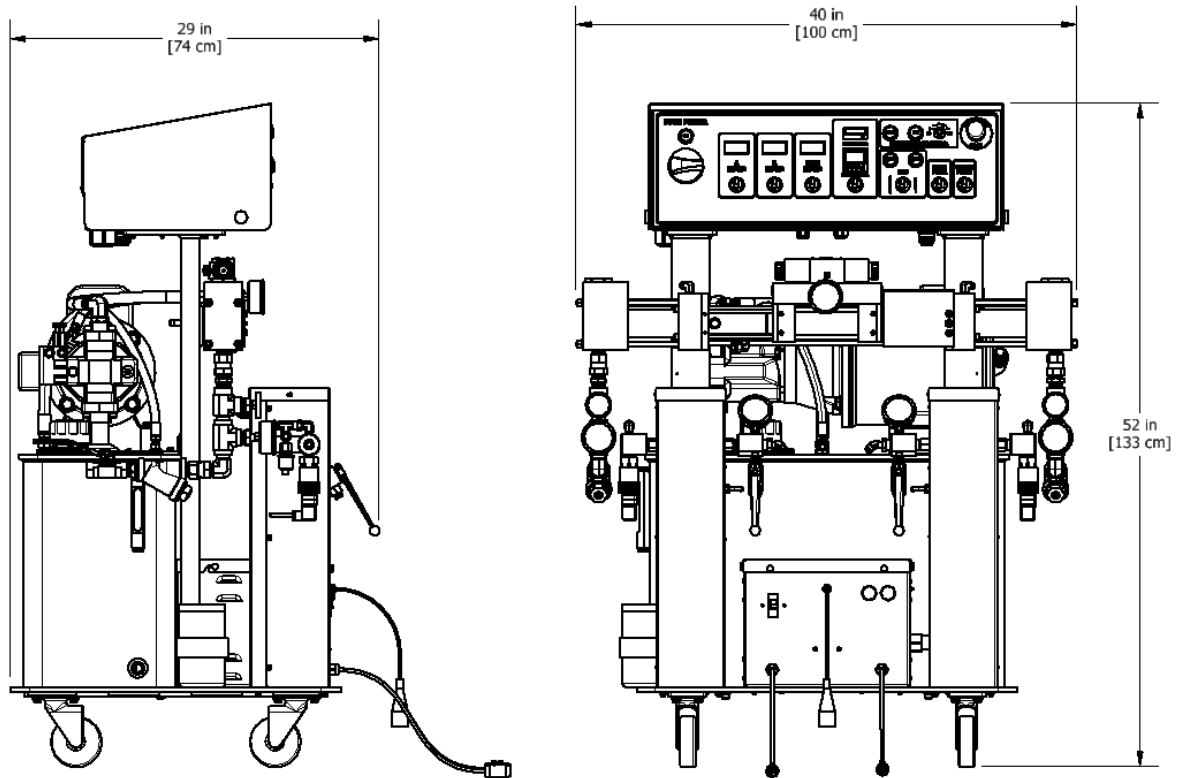


Figure 2: Proportioner Dimensions

5 DESCRIPTION

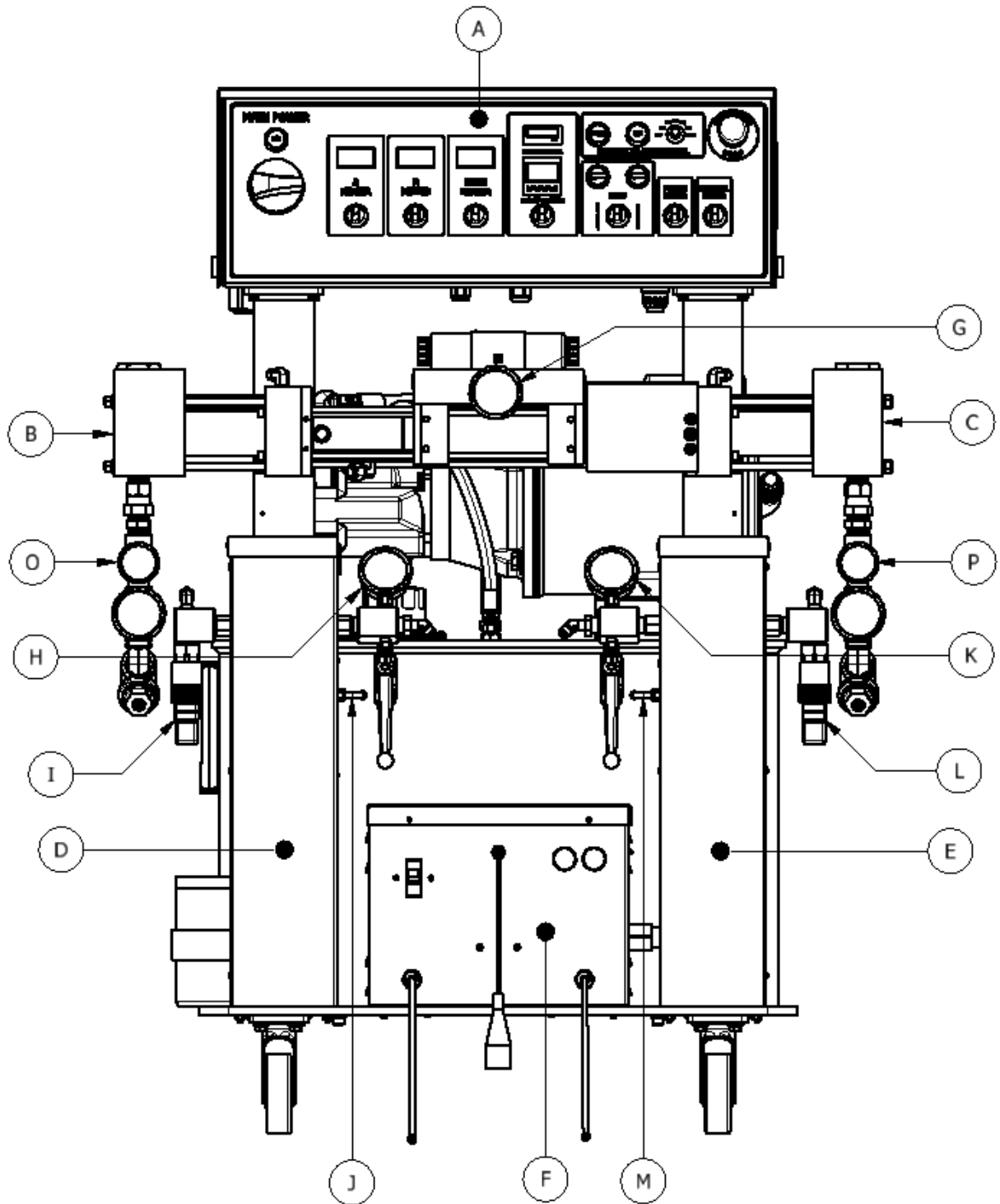


Figure 3: Component Identification - Front

- A. Control Panel** - Controls and regulates the operation of the PH Series Proportioner.
- B. Isocyanate (Iso, A) Metering Pump** - Meters the Isocyanate material.
- C. Polyol (Poly, R) Metering Pump** - Meters the Polyol material.
- D. Isocyanate (Iso, A) Heater** - Heats the incoming Isocyanate to a temperature set by the operator.
- E. Polyol (Poly, R) Heater** - Heats the incoming Polyol to a temperature set by the operator.
- F. Hose Heating Transformer** - Supplies the required voltage for material Heated Hoses.
- G. Hydraulic Pressure Gauge** - Indicates the pressure in the Hydraulic Drive System.
- H. Isocyanate (Iso, A) Pressure Gauge** - Indicates the pressure in the Isocyanate system.
- I. Isocyanate (Iso, A) Safety Pressure Switch** - Disables the pump circuit in the event of excessive pressure in the Isocyanate system.
- J. Isocyanate (Iso, A) Thermocouple** - Provides temperature reading of the Isocyanate chemical.
- K. Polyol (Poly, R) Pressure Gauge** - Indicates the pressure in the Polyol system.
- L. Polyol (Poly, R) Safety Pressure Switch** - Disables the pump circuit in the event of excessive pressure in the Polyol system.
- M. Polyol (Poly, R) Thermocouple** - Provides temperature reading of the Polyol chemical.
- N. Hydraulic Pressure Control** - Allows the pressure of the hydraulic system to be increased or decreased. Turn clockwise to increase the pressure and counterclockwise to decrease. To regulate the pressure of the hydraulic system, the NORMAL or RETRACT Pump Switch position must be selected.

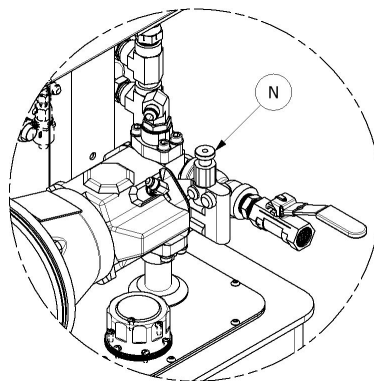


Figure 4: Component Identification - Back

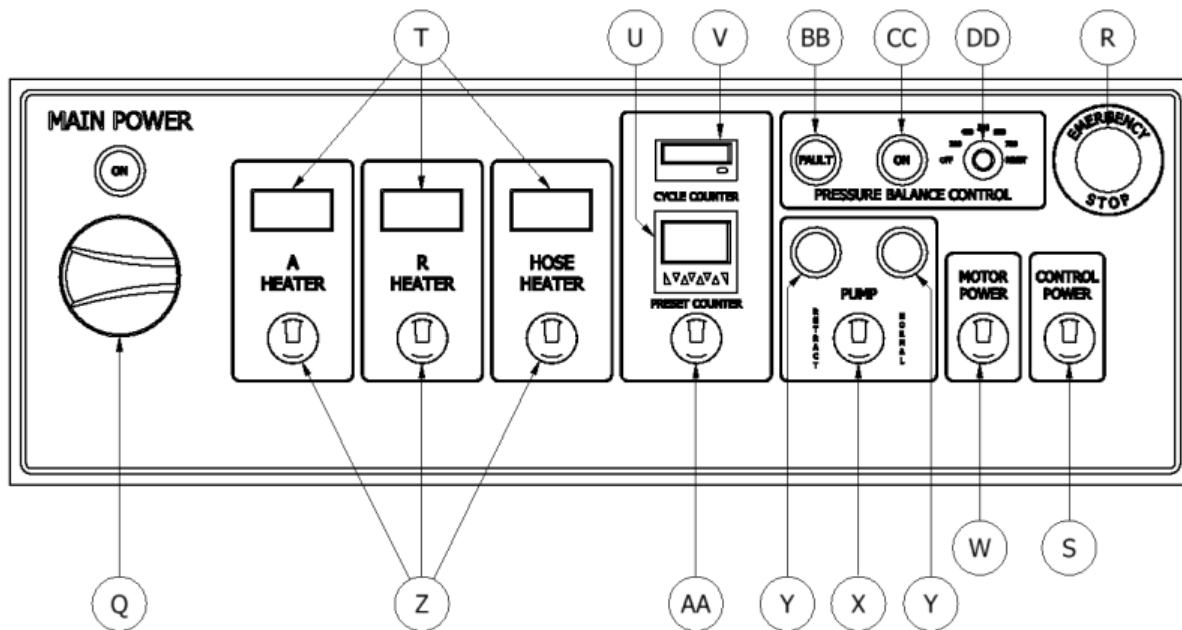


Figure 5: Front Panel Description

- Q. Isocyanate (Iso, A) Inlet Material Strainer** - Screens (60 mesh) material from bulk supply.
- P. Polyol (Poly, R) Inlet Material Strainer** - Screens (60 mesh) material from bulk supply.
- Q. Main Power** - Turns ON and OFF main power to the control panel. It must be turned ON for any operation to be performed with the unit. When turned ON, the red pilot will light.
- R. Emergency Stop** - Interrupts the PH Series control power circuit to stop all motion and heating.
- S. Control Power** - Turns ON and OFF the control power to the complete electrical circuit including Heaters and Hose Heaters.
- T. Heater Temperature Zones: A (Iso), R (Poly), HOSE** - Turns ON and OFF power to the specific Heaters. See page 27 for detailed Temperature Controller instructions. The Hose Heat Controller automatically controls the Hose Heater only when using the TSU (Temperature Sensing Unit) probe.
- U. Count Down Counter** - Used to set the amount of cycles required to prevent the chemical drums from running dry, the machine will shut down when the preset cycle expires. There is an ON/OFF switch to activate/deactivate this feature.

V. Cycle Counter - Indicates the number of pump cycles to calculate material usage.

W. Motor Switch - Turns On and OFF the Electric/Hydraulic Motor. When turned ON the switch will be lit. In the event of a motor overload, the pilot light will turn OFF and the motor will stop.

X. Pump Switch

OFF - Removes power from the pump circuit. The directional indicator lights will not be lit.

NORMAL - Activates the normal operation of the machine. When the switch is ON the directional light corresponding to the stroke direction will light.

RETRACT - Sets the Piston Rod of the A (Iso) metering pump to the retract position and prevents crystallization of A (Iso) on the Piston Rod. Turn the switch to the RETRACT position every time the unit is stopped by the operator. (see 11, page 32)

Y. Direction Indicator Light - Indicates the direction of movement of the Metering Pumps. If excessive pressure occurs in the system, the pump circuit will be disabled and the directional lights will turn OFF.

Z. Heater Temperature Switch: A (Iso), R (Poly), HOSE - Turns ON and OFF power to the respective specific Heaters.

AA. Auto Shut Down Switch - Turns ON and OFF power to the Auto Shut Down unit.

BB. Pressure Balance Control "FAULT" Light - Indicates the the pressure differential is equal to or greater than the maximum allowable.

CC. Pressure Balance Control "ON" Light - Indicates that the Pressure Balance Control system is on and functioning.

DD. Pressure Balance Control Knob - Used to set the maximum allowable pressure differential (PSI) between the A (Iso) and R (Poly) pumps. See page 26 for more information.

6 INSTALLATION

WARNING! Use suitable protection and follow the recommendations in the Safety Information enclosed and provided by material suppliers when installing or working with the Proportioner.

CAUTION! Make sure the power cable is disconnected from the main power source before connecting to the Terminal Strip in the Console.

NOTE! To ensure the PH Series Proportioner works correctly, the electrical supply must meet the specifications indicated on the Serial Number Placard affixed to the Electrical Console.

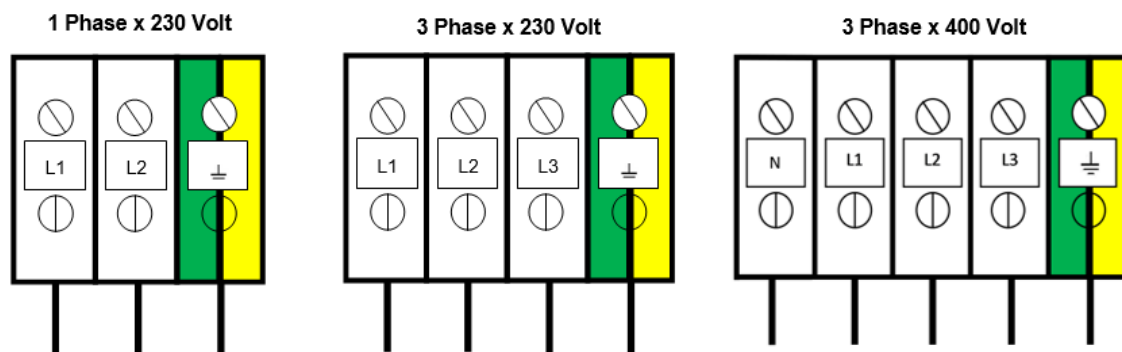


Figure 6: Electrical Installation

1. Insert the main power cable by passing it through the wire stop at the bottom of the electrical console and connect as shown in the diagram above.
2. Fill the Hydraulic Reservoir with 20 gallons (76 Liters) of approved hydraulic fluid. See page 56 for hydraulic oil specifications.

NOTE! Do not fill the tank to maximum capacity; use the Visual Level Indicator on the tank to make sure the amount of hydraulic fluid is not more than 20 gal (76 L) or 80% of the tanks maximum capacity.

3. To check the level of the hydraulic fluid in the Hydraulic Pump Case, disconnect the Hydraulic Hose from the 90 degree fitting and remove Fitting from Hydraulic Case. Add fluid as required. Reattach Fitting and Hydraulic Hose. Turn the hydraulic pressure control knob counter clockwise until it stops, that is the lowest hydraulic pressure setting.

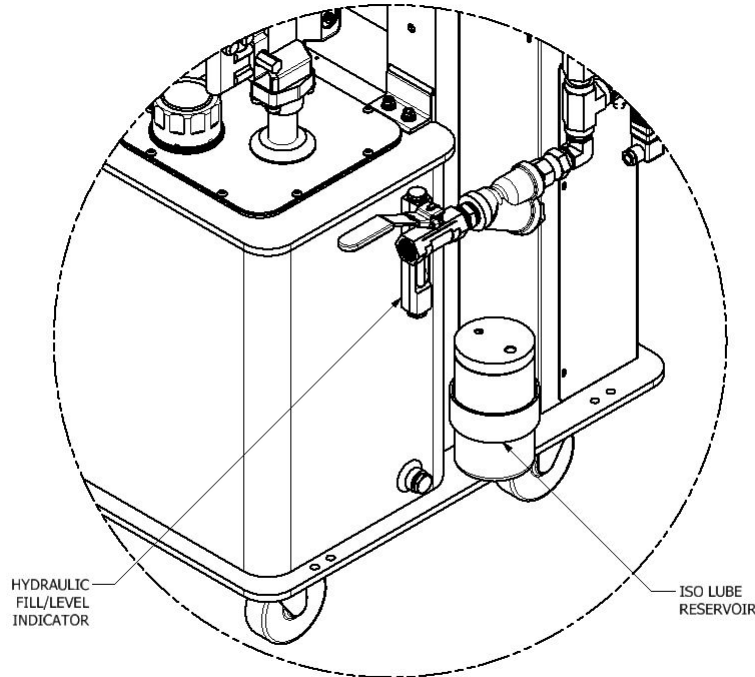


Figure 7: Component Identification - Misc

CAUTION! Ensure that the emergency stop is not engaged.

4. **Three Phase Proportioner Only:** Check the Electric Motor to ensure rotation is clockwise when viewing the end of the Electric Motor. A counter clockwise rotation indicates two of the incoming power leads need to be reversed.

CAUTION! Ensure Main Power Switch is OFF and incoming power is locked OFF before reversing power leads.

Recheck rotation before proceeding with Installation.

5. Fill the Lube Reservoir with PMC Pump Lube or suitable dilutents. It is not necessary to prime the system.

6.1 HEATED HOSE INSTALLATION

CAUTION! The material delivery Heated Hoses are color coded Red and Blue, allowing the user to recognize them. The Red corresponds to the Isocyanate (Iso, A) and the Blue to the Polyol (Poly, R). To avoid connection errors, the Coupling Connections of the Iso (A) and Poly (R) Heated Hoses are different sizes to ensure correct orientation.

NOTE! The material delivery Heated Hoses are capped at the ends to prevent absorbing moisture. Do not remove caps until the Heated Hoses are going to be installed on the Proportioner.

1. Lay out all the Heated Hose assemblies end to end aligning the Iso “A” (red) and Poly “R” (blue) and connect the respective Coupling Connections using the appropriate sized open-end wrench after ensuring Heated Hose assemblies lay flat.

CAUTION! Take care to not cross-thread or over-tighten the Coupling Connections. Thread seal tape or compound is not recommended for these tapered seat Coupling Connections.

2. Connect the material Heated Hoses to the outlets of the respective Heaters i.e. Iso (A) Heated Hose to the Iso (A) Heater and the Poly (R) Heated Hose to the Poly (R) Heater ensuring Heated Hose assemblies lay flat. (For half inch hose assemblies, all required fittings and instructions are included in kit 200212)
3. Connect Air Hose Coupling Connections.
4. Connect the Heated Hose power wires to the “Fast-Lock” Connector (Part# KT-00029A) coming from the Hose Heat Transformer as follows:
 - (a) Loosen the Socket Head Set Screw to allow insertion of the Heated Hose electrical wire Terminal.
 - (b) Insert the Terminal into the “Fast-Lock” Connector Body.
 - (c) Securely tighten the Socket Head Set Screw.
 - (d) Install electrical tape around Connector Body.

NOTE! A good practice is to add some dielectric grease (Permatex 67VR or equivalent) to the outside of the Terminal, where the electrical connection is made, prior to insertion.

5. Repeat the above steps to connect the “Fast-Lock” Connectors that you will find on all Heated Hose power wire.

CAUTION! Ensure the proper mechanical and electrical connections of the Heated Hoses are made to avoid possible material leakage and Hose heat problems.

6. It is recommended the TSU be installed between the last section of Heated Hose and the Gun Whip. Carefully straighten the sensing wire, inserting it in the Iso (A) Heated Hose and tighten fluid fittings with appropriate sized open-end wrenches.

CAUTION! To protect the TSU sensor, you must pay special attention not to kink or excessively bend the Heated Hoses. Do not coil the Heated Hoses with a diameter of less than 4 feet (1.22 Meters).

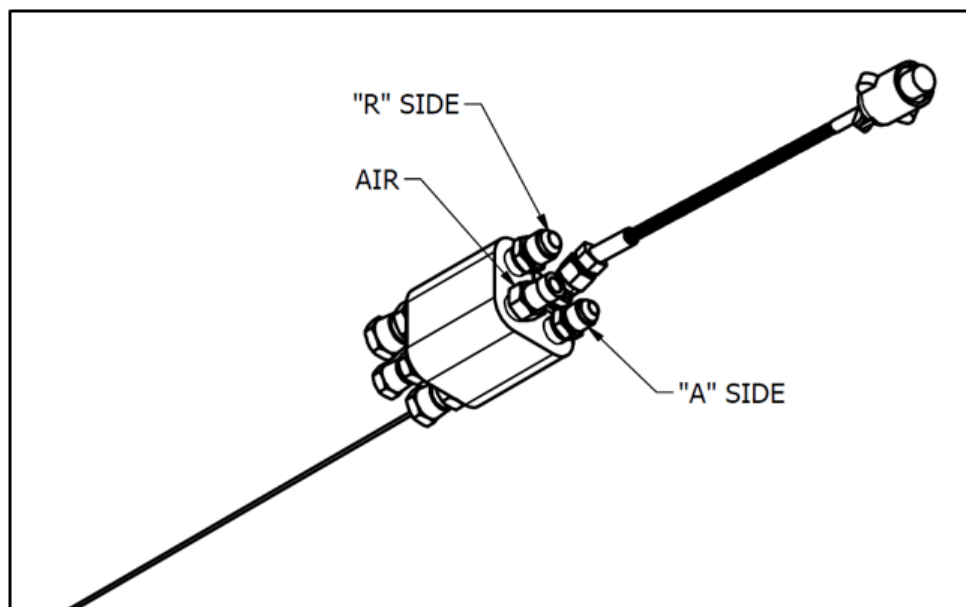


Figure 8: Temperature Sensing Unit

(TSU) Part# EL-51A-4
Replacement Sensor Part# EL-51A-2

CAUTION! Connecting the TSU between the first and second section of Heated Hose results in the TSU sensing the material temperature exiting the Heater and not the inside of the Heated Hose near the Spray Gun.

7. Ensure the Manual Valves are CLOSED and connect the Coupling Block to the Heated Gun Whip.

CAUTION! Excessive force closing or opening the Manual Valves may result in damage to the Manual Valves and/or Coupling Block.

8. Connect the Transfer Pump/ Heated Hose Assemblies/Air Supply and Air Dryer systems as required. Review the Installation Instructions for each to ensure proper set-up and operation.
9. Install the Material Transfer Pumps as follows:

WARNING! If Transfer Pumps have been previously used, pay special attention to connect each Pump to its specific material. Inadvertently changing the Transfer Pumps will cause a chemical reaction rendering them useless.

NOTE! Placing a tape of the same color as of the Material Delivery Hoses (red for the Iso (A), blue for the Poly (R)) on each Transfer Pump would be a good method for minimizing errors in connection.

- a. Make sure that the Inlet Valves on the Proportioner are closed.
- b. Connect one end of the Polyol (R) Material Delivery Hose (3/4" thread) to the Proportioner Polyol (R) Inlet Valve and the other end to the Polyol (R) Transfer Pump.
- c. Connect one end of the Iso (A) Material Delivery Hose (1/2" thread) to the Proportioner Iso (A) Inlet Valve and the other end to the Iso Transfer Pump.
- d. Connect the air hose to the Transfer Pumps after ensuring each Transfer Pump Shut-Off Valve is CLOSED.

NOTE! To avoid errors in connection, the Coupling connections of the Iso (A) and Poly (R) Material Delivery Hoses are different sizes, making it difficult to swap connections.

10. Ground the Transfer Pump as recommend by the material supplier. The movement of product inside the Hoses can cause static electricity and produce electrical discharges.
11. Connect air to the air line coming off the first section of hose (90-110 psi, 6-8 bar)

6.2 HOSE HEAT TRANSFORMER

The Hose Heat Transformer offers the ability of connecting to different output voltages depending on the total length of the Heated Hose in use, maximizing the heating ability of the Heated Hose. The factory setting is 18 volts for use with 60 feet of Heated Hose. Before starting the Proportioner, ensure the setting matches the Heated Hose length installed. If Heated Hose sections are added or removed, the Tap setting should be changed to a setting which will limit the maximum amperage in the Heated Hose to 52 amps. The suggested settings are listed in the table below.

RECOMMENDED TAP SETTINGS		
Tap	Hose Length (Feet)	Hose Length (Meters)
120V	410	125.0
105V	360	109.7
90V	310	94.5
75V	260	79.5
60V	210	64.0
45V	160	48.8
30V	110	33.5
18V	60	18.3

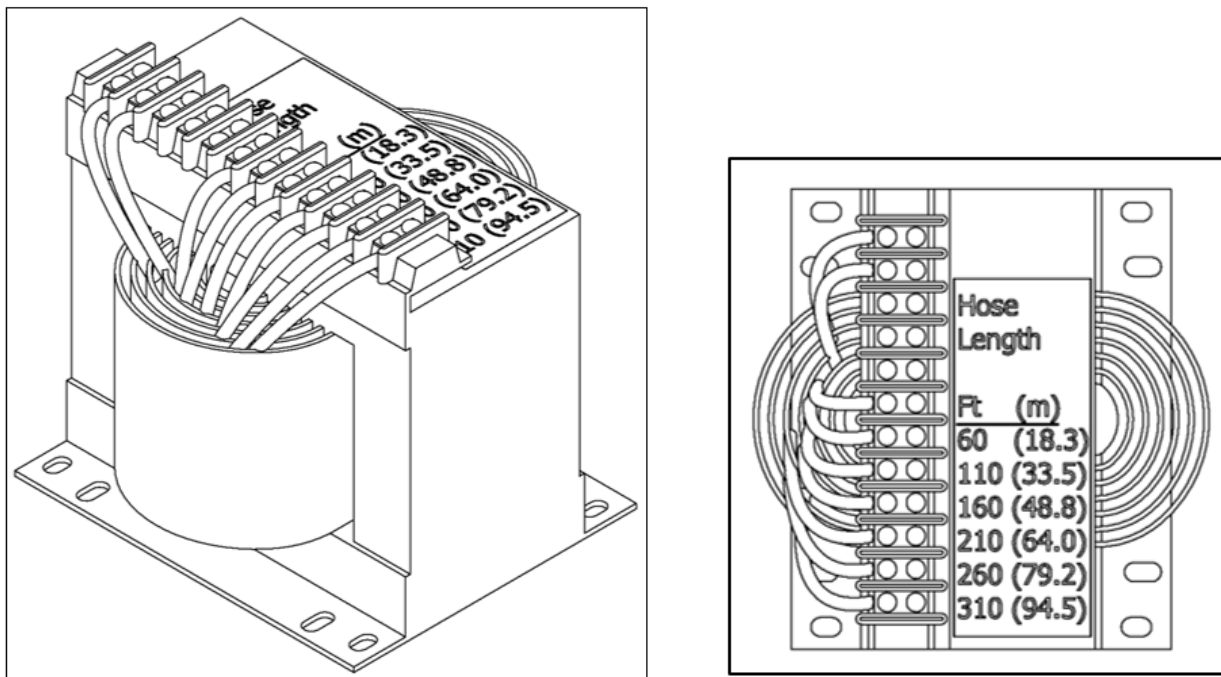


Figure 9: Transformers

*90V transformers (shown above) allow for a maximum hose length of 310 ft (94.5 m). 120V transformers allow for a maximum hose length of 410 ft (125 m).

7 PROPORTIONER PURGING

WARNING! Use suitable Personal Protection Equipment (PPE) and follow the recommendations in the Safety Information provided by product suppliers when installing or working with the unit.

WARNING! Do not turn the Temperature Controllers ON until the Proportioner purging procedure is complete and the Primary Heaters and Heated Hoses are filled with material.

NOTE! Before using the Proportioner it is necessary to purge the entire system, including Heated Hoses of mineral oil left over from Quality Control testing and air. The following procedure is also followed to purge air entrapped by running out of material in the supply Drum/Reservoirs resulting in a significant indicated material pressure imbalance as indicated by the Pressure Gauges and sprayed material.

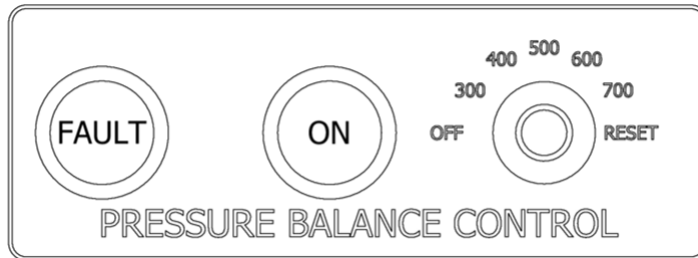
1. Ensure the following before proceeding:
 - a. Air supply to Transfer Pumps is 90 - 110 psi (6 - 8 bar).
 - b. Proportioner inlet ball valves are CLOSED.
 - c. All connections are tight.
 - d. Material should be stored to the material suppliers recommended temperatures.
 - e. Spray gun coupling block is installed and manual valves are closed.
2. Slowly OPEN the Poly (R) Transfer Pump Air Shut-Off Valve allowing Pump to cycle slowly as it fills the Material Delivery Hose to the Proportioner. Check for leaks.
3. OPEN Poly (R) Coupling Block Manual Valve over a waste container.
4. Slowly OPEN Proportioner Poly (R) Inlet Valve allowing Transfer Pump to move material through the system. When all spitting of air stops and all traces of mineral oil have disappeared, CLOSE Poly (R) Coupling Block Manual Valve. Clean Coupling Block.
5. Repeat steps 2 to 4 for Iso (A) side.

CAUTION! Properly dispose of all waste chemicals in accordance with all applicable local, state and federal codes. DO NOT turn on the Auto Countdown Switch or the Pressure Balance Control Switch.

6. Turn Hydraulic Pressure Control (Item N, Figure 4) fully COUNTERCLOCKWISE.
7. Turn ON Main Power (Item Q, Figure 5).
8. Turn ON Motor Power (Item W, Figure 5). Button will turn green when activated.
9. Activate Pump Power (Item X, Figure 5). The button will turn green and the pump will activate. Turn Hydraulic Pressure Control CLOCKWISE increasing material pressure to 400 psi (28 bar). Both Material Pressure Gauges (Items H & K, Figure 3) should approximately read the same. Check all Heated Hose Coupling connections for leakage.
10. Check all TSU and "Fast-Lock" connections for leaks.
11. Bundle all Heated Hose Connections ensuring that there are NO kinks in the TSU Cable or Air Hose. Wrap with Electrical Tape to securely hold all components in place and minimize places for bundle to snag onto job site protrusions.

8 PRESSURE BALANCE CONTROL

The PH Series Proportioner has been designed with a pressure balance control system. This system will give the operator of this machine the ability to control a pressure imbalance within certain predetermined parameters.



The system consists of:

Selector Switch
Fault Light
On Light
Control Unit
Pressure Transducers
Relay

8.1 OPERATION

Position the selector switch on one of the three options:

- **Pressure Differential Number** - these consist of 300, 400, 500, 600, and 700 PSI. Selecting any of these numbers with the switch will activate the green ON light. While the pressure differential numbers are selected, the control box will continually monitor pressure on both sides of the Proportioner. In the event that the pressure differential between both sides of the Proportioner is equal to or larger than the selected number, a fault is given (the red fault light is turned on and the active green light is turned off) and shuts down.
- **Off** - if the selector switch is placed in this position, the Proportioner will operate as though there is NO PRESSURE BALANCE CONTROL SYSTEM (neither the red fault light nor the active green light will be lit). The over pressure system will remain active for the machine and personnel protection.
- **Reset** - in the event of a pressure imbalance, resolve the Proportioner imbalance, position the selector switch on reset to clear the fault light and restore power to the Proportioner. After the fault has been cleared, position the switch in either a Pressure Differential number or in the OFF Position to continue operations.

9 DIGITAL TEMPERATURE CONTROLLER

The PH Series has three Digital Temperature Controllers to manage the temperatures for the Primary Heaters (Iso (A), Poly (R)) and the Heated Hose. The Hose Heater Controller is programmed different from the Iso (A) and Poly (R) Controllers and therefore not interchangeable with them.

WARNING! Do not turn the Temperature Controllers ON until the Proportioner Purging procedure is complete and the Primary Heaters and Heated Hoses are filled with material.

EATON CONTROLLER

1. Ensure Main Power (See Figure 5 on page 16) is ON, Control Power (See Figure 5 on page 16) is ON and **01** Display light is lit.
2. Press and release X button. The display will read **SP1**.
3. Press and release up or down button to display the **current material temperature set-point**.
4. Press and hold the up or down button to **increase** or **decrease** the material temperature set-point to the desired value as determined by the material supplier or application conditions.
5. Press and release up and down together to return to the **actual material temperature** in the Primary Heater/Hose Heater.

NOTE! The Temperature Controller normally displays the actual material temperature. When lit, the “01” display in the upper left indicates power is sent to the designated heating system. The “01” display goes out when the material temperature has reached its set-point. The “01” display will continue to cycle on and off indicating the Controller is maintaining the material temperature set-point.

OMRON CONTROLLER

1. Press and hold the UP or DOWN keys to **increase** or **decrease**, respectively, the material temperature set-point to the desired value as determined by the material supplier or application conditions.
2. The smaller **green** numbers in the bottom right side of the controller display the set point. The larger **white** numbers in the center of the controller display the actual temperature of the material as read by the thermocouples in the Pre-Heater and TSU assembly. See the image below for the OMRON Heater Controller display.
3. Turn the Heater Temperature Switch (See Figure 5 on page 16) to the **right** to turn ON each heater.



NOTE! The Temperature Controller displays the actual material temperature and the set point. The **YELLOW** box with the word **OUT** indicates that the heaters are being powered.

WARNING! The Controllers are factory programmed and are not field re-programmable. If a problem is encountered, contact your PMC Distributor. Do not attempt to change any of the programmed parameters. Do not substitute a Controller from an alternate supplier as its use may result in equipment damage and/or bodily injury.

10 START-UP

NOTE! Follow the recommended procedure in the order shown.

CAUTION! The Start-up procedures assume that all steps in Proportioner purging have been performed and no problems were found.

1. Check the hydraulic fluid level and service as required.
2. Make sure the materials have been stored at the manufacturer's recommended temperature. Ask your material supplier for information (Material Safety Data Sheet) on the minimum storage temperature.
3. Y-Strainer screens should be checked routinely.
4. Connect air supply to the two Transfer Pumps and ensure Air Valves are in the full OPEN position. OPEN both Proportioner Material Inlet Ball Valves.

CAUTION! Remove all Heated Hose sections from coiled storage and lay flat to eliminate heat build-up and possible Heated Hose failure.

5. Turn ON Main Power (See Figure 5 on page 16).
6. Turn ON Control Power (See Figure 5 on page 16).
7. Turn ON Hose Heater (See Figure 5 on page 16) and confirm material set-point temperature as recommended by the material supplier or application conditions.

CAUTION! To avoid excessive pressure in the Proportioner, wait for the Hose Heater to reach its set-point temperature before continuing.

8. Turn ON each Primary Heater and confirm material set-point temperature as required by the material supplier or application conditions has been reached.
9. Turn ON Motor Power (See figure 5 on page 16).
10. Set Pump Switch (See Figure 5 on page 16) to NORMAL. One of the Directional Indicator Lights (See Figure 5 on page 16) will illuminate, indicating the Metering Pump direction, and the Metering Pump Shafts will begin to move.

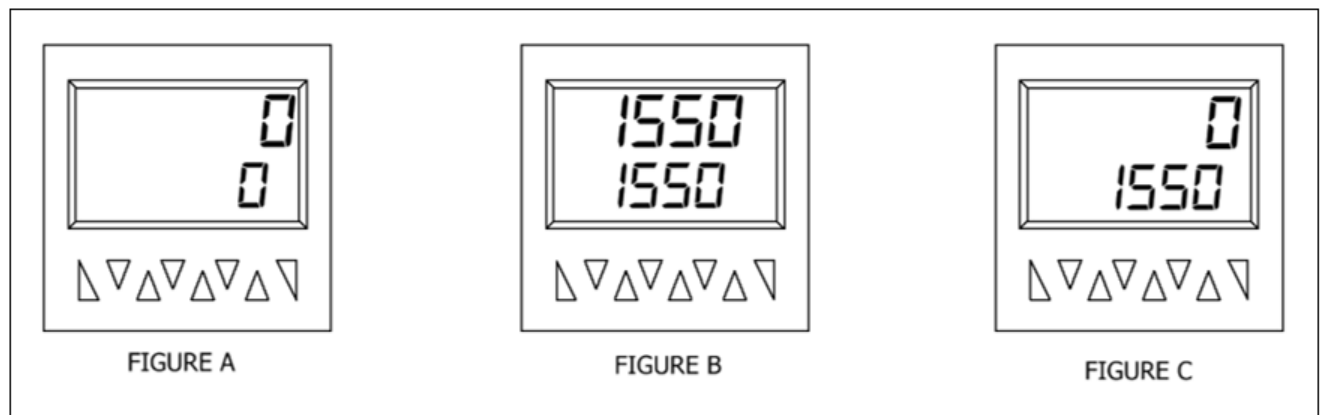
NOTE! The Material Pressure Gauges should be approximately equal and remain constant throughout the Metering Pump cycle. If not, refer to Trouble Shooting section.

NOTE! Directional Indicator Lights must indicate Metering Pump direction when Pump Switch is in the NORMAL position. If not, refer to Trouble Shooting section.

- 11a. Using the Hydraulic Pressure Control, adjust to the required **stall pressure** and check each Material Pressure Gauge.
- 12a. Auto Shut Down Counter - **If this function is not needed, leave it in the off position.** To set the Auto Shut Down Counter:
 - a. Turn the switch to the on position, the green light will illuminate.
 - b. Insert the number of cycles desired to disable the PH machine by pushing in on the white triangles to set the cycle count. Push in on the red button until the data is replicated on the top row, the top row will count down.

Model	Pump Size	Cycles per Gallon
PHX-2 (3,000PSI)	61	55 Cycles

- c. When the counter counts down to zero the machine will stop and the pump directional light will be off, push in on the red button to reset.



- 13a. Proceed with Installation and Start-up of the Spray Gun as per the Gun manual.

Stall pressure: When materials are at recommended application temperature and Metering Pumps are pressurized but not moving. This pressure is normally 100–200 psi (7-14 Bar) greater than the developed spray pressure as recommended by the material supplier.

NOTE! Directional Indicator Lights must indicate Metering Pump direction when Pump Switch is in the NORMAL position. If not, refer to Trouble Shooting section.

- 11b. (See Figure 5 on page 16) - **If this function is not needed, leave it in the off position.** To set the Auto Shut Down Counter:
- Input the number of cycles desired to disable the PF machine onto the Auto Shut Down Counter by pushing in on the gray buttons to set the Countdown Value. The bottom row of **green** numbers identifies the set point. The top row of numbers identifies the number of cycles left to count down and will initially be colored **red** before the Countdown Value is set. Each button corresponds to a specific digit. For example, in order to set the Auto Shut Down Counter to a value of 136 as seen in the images below, press Button 1 (6) times, Button 2 (3) times and Button 3 (1) time. See table on page 30 for approximate cycles required per gallon or liter.
 - Press the gray “RST” button on the bottom left of the display to set the countdown value. The top row of numbers will now become **green**. Turn the Pump Switch (See Figure 5 on page 16) to **Normal**. The top row of numbers will count down by 1 after each cycle of the Pump Line is completed.
 - After the Pump Line has completed the set number of cycles, the Countdown Value will read “0” and change color to **red**, the Pump Line will stop in the Retract position, and the Pump Switch/Indicator Light will no longer illuminate.
 - To make the machine operational again, reset the Countdown Value by pressing the “RST” button with the next desired Countdown Value or by shutting off the Auto Shut Down Counter.
- 12b. Proceed with Installation and Start-up of the Spray Gun as per the Gun manual.



11 SHUT-DOWN

11.1 SHORT-TERM

Follow the procedure below for temporary shut-downs, such as **lunch breaks**:

1. Set Pump Switch (See Figure 5 on page 16) to the OFF position.
2. Turn both “A” and “R” Heaters OFF. Hose Heater should remain ON. Never leave Proportioner ON if unattended.
3. CLOSE Spray Gun Manual Valves.

CAUTION! Excessive force opening or closing the Manual Valves may result in damage to the Manual Valves and/or Coupling Block.

11.2 LONG-TERM

Follow the procedure below for shut-downs when work is **stopped for the day**:

1. Set Pump Switch (See Figure 5 on page 16) to the RETRACT position.
2. Spray off the application surface until Material Pressure Gauges (See Figure 3 on page 14) readings begin to fall.

CAUTION! To avoid possible Proportioning Pump Seal weepage, and moisture vapor drive into the Heated Hoses, the system pressure should not be reduced to zero. It is recommended to lower the system pressure to a minimum of 400 psi (28 bar).






3. CLOSE the Spray Gun Coupling Block Manual Valves.
4. Turn OFF Motor Power (See Figure 5 on page 16).
5. Turn OFF the A and R Heaters and Hose Heater (See Figure 5 on page 16).
6. Turn OFF the Control Power (See Figure 5 on page 16).
7. Turn OFF the Auto Shut Down Switch (See Figure 5 on page 16).
8. Turn OFF the Main Power (See Figure 5 on page 16).
9. Disconnect the air supply to the two Transfer Pumps and CLOSE the Proportioner Material Inlet Valves.

CAUTION! Excessive force opening or closing the Manual Valves may result in damage to the Manual Valves and/or Coupling Block.

12 TROUBLESHOOTING

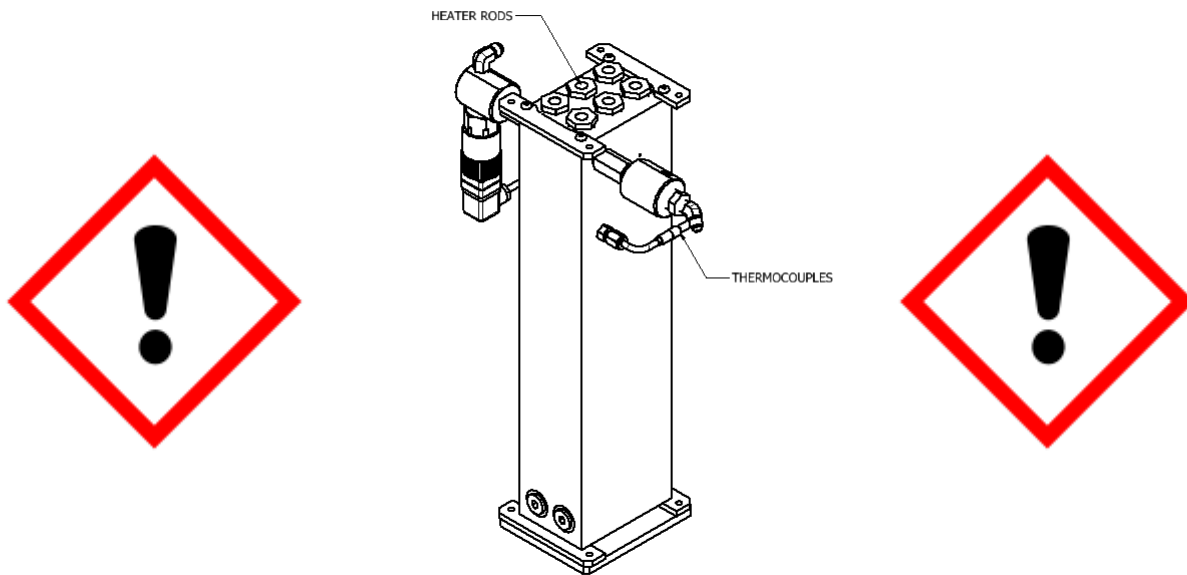
This PH Series Proportioner has been designed and built to withstand severe working conditions with a high degree of reliability, provided that it is used in a suitable application by a properly trained operator. This chapter contains information on possible faults that may interrupt the operation of the PH Series Proportioner. The information provided will serve as a guideline to detect and resolve problems. In any case, feel free to contact your authorized PMC distributor, where a qualified technician will advise you.

WARNING! Only qualified personnel should perform troubleshooting; unqualified personnel may cause damage to the unit and put the operator at risk.

	<p><i>To prevent possible injury caused by incorrect handling of the raw materials and solvents used in the process, carefully read the Material Safety Data Sheet (MSDS) provided by your supplier. Deal with the waste caused according to current regulations.</i></p>
	<p><i>To avoid damage caused by the impact of pressurized fluids, do not open any connection or perform maintenance work on components subject to pressure until the pressure has been completely eliminated.</i></p>
	<p><i>Use suitable protection when operating, maintaining or being present in the area where the equipment is functioning. This includes, but is not limited to, the use of protective goggles, gloves, shoes and safety clothing and breathing equipment.</i></p>
	<p><i>The equipment includes components that reach high temperatures and can cause burns. Hot parts of the equipment must not be handled or touched until they have cooled completely.</i></p>
	<p><i>To prevent serious injury through crushing or amputation, do not work with the equipment without the safety guards installed on the moving parts. Make sure that all the safety guards are correctly reinstalled at the end of the repair or maintenance work of the equipment.</i></p>

12.1 HEATERS

WARNING! Only qualified personnel should perform troubleshooting; unqualified personnel may cause damage to the unit, personnel, or property and put the operator at risk. The Heaters are components that reach high temperatures; you must wait until they cool before handling.



NOTE! The Thermal Limit Switch is a safety switch in contact with the Heater Body. If the surface temperature exceeds 220°F (109°C) the Limit Switch will shut off the Heater power. The Limit Switch will not re-set until the temperature in the Heater is below 190°F (88°C). The system is designed that in case of an over temperature, a contactor located in the console will open and disable power to both Heaters and the Hose.

Follow the recommended procedure in the indicated order to solve the problem and avoid unnecessary repairs. Make sure all Switches are in the correct position and Indicator Lights ON before determining the existence of a fault.

Frequent Heater Problems

Primary heater does not heat and the display on the controller shows ambient temperature.	Page 35
Primary heater does not heat and the display on the controller shows an error message (SbEr, EEPE, CjEr, AdEr).	Page 36
Primary heater controller shows excessive temperature and the circuit has turned off.	Page 36
Primary heater Temperature drops excessively while spraying.	Page 37

- **Problem:** Primary heater does not heat and the display on the controller shows ambient temperature.

Solutions:

1. Check that the light on the on/off switch is lit when the heater is turned on, if not replace the switch.

If the light is on, move to the next step.

2. Check the heater breaker in the main console and reset the breaker. If it continues to trip, wrap an Amp Clamp around one of the wires coming off the breaker. If the Amperage reading does not exceed the rating of the breaker, the breaker needs to be replaced. If the breaker draws more than its rating the most likely cause is that one or more of the fire rods located in the heater are shorted.

If the breaker is not tripped, move on to the next step.

3. Open the console top and locate the solid state relays for the heaters, looking over the console top from the front of the machine. There are two relays to the left bottom of the console, the one to the far left is for the “A” heater and the one to the right is for the “R” heater. With the heater on, look to see if an LED light is lit on the relay.

If there is no LED light on the solid state relay, move to the next step.

4. With a DC volt meter read across position A1 and A2 on the solid state relay (smaller wires) if you have a reading of 4-6 volts DC and the AC reading across L1 and L2 (Heavy wires) reads 208-230 volts AC replace the solid state relay. With 4-6 volts DC at A1 and A2 the proper reading should be 1 volt AC across L1 and L2. A defective over temperature switch will open a contactor disabling both Heaters and the Hose.

If there is no DC voltage to the relay, move to the next step.

5. Check the M1 contactor to ensure it is activated. If not, inspect the contactor for failure.

If the M1 contactor is activated, move to the next step.

6. Using a DC volt meter, on an Eaton Controller measure across position 5 and 9 on the back of the heater controller. On an Omron Controller measure across position 5 and 6 on the back of the heater controller. This is the output of the controller and sends power to the solid state relay. On an Eaton Controller, your reading will be 4-6 volts DC. On an Omron Controller, your reading will be 12 volts DC. If there is no reading check to make sure that the set temperature of the controller is above the actual temperature reading on the controller. Before replacing the controller read across position 1 and 2 to make sure that the controller is powered up, your reading will be 208 to 230 volts AC. If there is no voltage detected; check for loose wires or a malfunction of the heater circuit breaker.
-

- **Problem:** Primary heater does not heat and the display on the controller shows an error message (SbEr, EEPE, CjEr, AdEr).

Solutions:

1. Check position 6 and 7 on the heater controller for loose wires.
If the wires are tight, move to the next step.
 2. Remove the heater cover and check that the thermocouple wires are secure to the harness going up to the controller.
If there are no loose connections replace the heater thermocouple.
-

- **Problem:** Primary heater controller shows excessive temperature and the circuit has turned off.

CAUTION! The heater must be allowed to cool down before continuing.

Solutions:

1. Set the controller set point at least 20 degrees lower than the temperature shown on the controller. Briefly turn on the heater and look for the LED light on the solid state relay to be on.
If the light is on, replace the controller.
If the light is off, replace the solid state relay.
-

- **Problem:** Primary heater Temperature drops excessively while spraying.

Solutions:

1. Temperature of the chemical in the containers is too cold.
2. Exceeding the flow rate specification of the machine. Use a smaller mixing chamber to reduce flow.
3. Disconnect power to the machine. One or more of the fire rods in the heater have malfunctioned. Remove the heater cover and disconnect the wires to measure the resistance across each rod. Installing a smaller mixing chamber in the gun may allow you to spray until a new rod(s) is installed.

CAUTION! If the rod that is used in conjunction with the thermocouple is defective, do not operate the heater until the rod is replaced.

Individual Ohm Measurement

1250 WATT	37 OHMS
1500 WATT	31 OHMS
1750 WATT	27 OHMS

12.2 HYDRAULIC DRIVE SYSTEM

Frequent Hydraulic Drive System Problems

Hydraulic Pump does not develop pressure and the electric motor is not running.	Page 38
Hydraulic Pump does not develop pressure.	Page 39
Low or zero hydraulic pressure with unusual Hydraulic Pump noises.	Page 39

Follow the recommended procedure in the indicated order to solve the problem and avoid unnecessary repairs. Make sure all Switches are in the correct position and Indicator Lights ON before determining the existence of a fault.

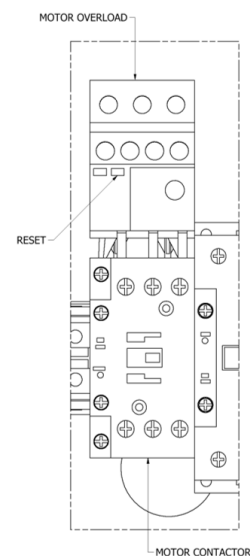
WARNING! Only qualified personnel should perform troubleshooting; unqualified personnel may cause damage to the unit, personnel, or property and put the operator at risk. The Heaters are components that reach high temperatures; you must wait until they cool before handling.

CAUTION! Excessive force opening or closing the Manual Valves may result in damage to the Manual Valves and/or Coupling Block.

- **Problem:** Hydraulic Pump does not develop pressure and the electric motor is not running.

Solutions:

Motor Contactor Safety or Motor Breaker - The Electric Motor is protected from excessive current by an Overload Safety Switch. After allowing the Motor to cool, open the Control Panel and reset Motor Contactor Safety.



- **Problem:** Hydraulic Pump does not develop pressure.
Solutions:

NOTE! Hydraulic pressure is not generated if the Motor Power Switch (See Figure 5 on page 16) is OFF or the Pump Switch (See Figure 5 on page 16) is in the OFF position.

Hydraulic Power Package - With the Pump Switch in the NORMAL position, the failure of the Hydraulic Pump to develop pressure is loss of pump suction (prime). To ensure positive prime, check the following:

- a. Motor Rotation.
- b. Hydraulic Reservoir is filled to the correct level.
- c. Hydraulic Pump Case is filled with the proper hydraulic fluid.
- d. Loose Inlet Plumbing: Check that all inlet plumbing to Hydraulic Pump is tight ensuring no air leakage into the hydraulic system.

-
- **Problem:** Low or zero hydraulic pressure with unusual Hydraulic Pump noises.
Solutions:

1. The use of an incorrect hydraulic fluid can result in unusual noises from the pump, excessive wear, and moisture absorption. Ensure the hydraulic oil used is from the list on page 56. In addition, continuous excessive hydraulic oil temperature as well as failure to change the hydraulic oil on a yearly basis will cause the oil to fail and result in excessive Hydraulic Pump wear and unusual noises.
2. Loose Inlet Plumbing: Check that all inlet plumbing to Hydraulic Pump is tight, ensuring no air leakage into the hydraulic system.

12.3 METERING PUMP-LINE

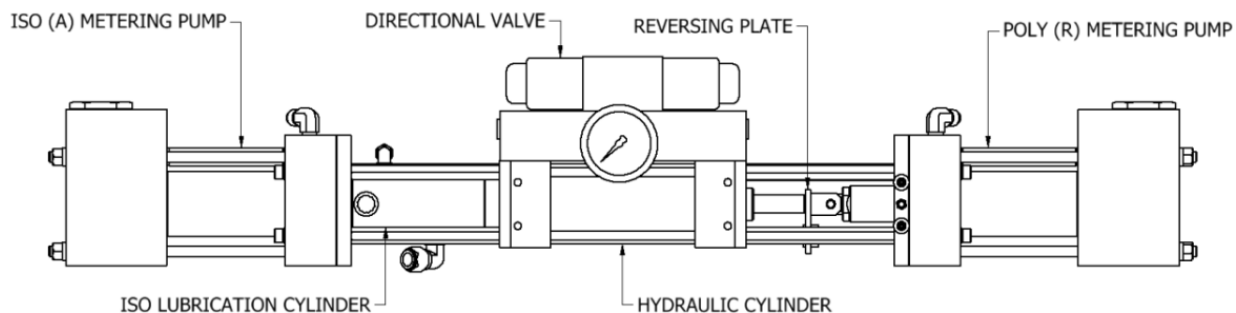


Figure 10: Metering Pump-Line (PL-1A/PL-2)

Frequent Pump-Line Problems

Metering pumps do not change direction and the pressures on both of chemical gauges are lower than normal.	Page 40
Cavitation.	Page 43
Pressure Loss: Discharge/Inlet Ball.	Page 43

Follow the recommended procedure in the indicated order to solve the problem and avoid unnecessary repairs. Make sure all Switches are in the correct position and Indicator Lights ON before determining the existence of a fault.

- **Problem:** Metering pumps do not change direction and the pressures on both of chemical gauges are lower than normal.

Solutions:

1. The Metering Pump Line has Reversing Plates which actuates two Proximity Switches (EL-153), one at each end of the stroke. The Prox Switches in turn actuate the appropriate Directional Valve Solenoid (HI-05003). Failure to make contact with either Prox Switch may be caused by:
 - a. Deformation of the Reversing Plate.
 - b. Foreign material preventing the Reversing Plate from contacting the Prox Switches.
2. Passing of the Reversing Plate beyond the Prox Switch may be caused by:
 - a. Failure of the Prox Switch and related components on the side of the over-run.
 - b. Failure of a component of the Directional Valve.
 - c. Mounting Plate and/or Prox Switch is out of adjustment.

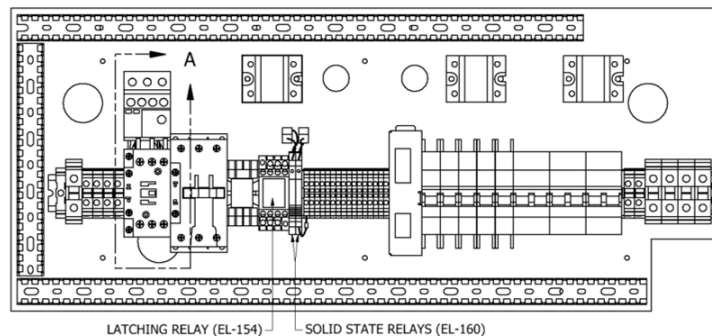
NOTE! IF THE DIRECTIONAL INDICATOR LIGHT (Q, Page 16) IS ON CHECK THE REVERSING VALVE COIL ON THE SIDE THAT THE LIGHT IS ON. IF YOU HAVE 24 VOLTS DC AT THE PLUG CHECK THE OHM'S RESISTANCE OF THE COIL, IT SHOULD READ APPROXIMATELY 19 OHM's, IF NOT REPLACE THE COIL OR REVERSING VALVE. IF THE DIRECTIONAL LIGHT IS OFF PROCEED BELOW.

NOTE! BEFORE TROUBLESHOOTING, THE REVERSING PLATE MUST BE MOVED AWAY FROM THE SWITCH.











- d. Bleed down the chemical pressures.
- e. Ensure Pump Switch (P, section 5) is **OFF**.
- f. Turn on the motor (X, section 5).
- g. Go to the Directional Valve and locate the Actuation Coils. Located in the middle of each coil is a small round tab that can be pushed in to manually shift the spool to move the pumps. If the Reversing plate is all the way to the left push in on the right side coil. If it's all the way to the right side, push in on the left side coil.

WARNING! THE MOTOR MUST BE OFF AND THE PUMP SWITCH IN THE NORMAL POSITION.

- h. Take a small screw driver or a thin piece of metal and move it across the front of each Prox switch. A red light on the back of the switch should illuminate. If not, replace the switch that does not light.
- i. If the Prox switches light up, turn off all power and check for continuity on both over pressure switches, pin 1 and 2. If the pressure switches are good, go to the two solid state relays inside the console and interchange them, they can be pulled from their housing. Power up the unit with the pump switch in the normal position and the motor **OFF**. If the directional light comes on replace the defective solid state relay. If not replace the Latching relay.



3. Safety Pressure Switch - Each Metering Pump has a Safety Pressure Switch set to 2,200 psi. for # 123 pumps, 3,200 psi for #61 pumps. When the material system reaches this pressure, the Safety Pressure Switch will remove power from the Directional Valve and Direction Indicator Lights (Q, section 5). Lack of Direction Indicator Lights along with high pressure indicated on one or both of the material Pressure Gauges (E, F, section 5) is an indication of an over-pressure condition. The Safety Pressure Switches are a momentary design; when the pressure bleeds off the Metering Pump Line will resume normal operation. However, the cause of the over-pressure should be determined and corrected. The most common causes are:
 - a. Cavitations of the Metering Pump on the **low** pressure side causing high pressure on the opposite side.
 - b. A restriction in the Spray Gun on the **high** pressure side.
4. Pressure/Material Imbalance - Troubleshooting this problem requires the applicator to:
 - a. Know what the NORMAL spray pressures are for the application in progress.
 - b. Determine what material is NOT exiting the Mixing Chamber.
 - c. Read the Pressure Gauge on the problem side and interpret the reading.

Material Condition	"A" GAUGE	"R" GAUGE
NORMAL		
LACK OF ISO (A)		
LACK OF POLY (R)		
RESTRICTION OF ISO (A)		
RESTRICTION OF POLY (R)		

- **Problem:** Cavitation.

Solutions:

1. Cavitations occur when the Metering Pump (B or C, section 5) requires a larger volume of material than the supply system (Transfer Pump) can furnish. This creates a "void" of material in the Metering Pump. The most common causes of cavitations are:
 - a. Material temperature too low causing increased material viscosity resulting in the inability of the Transfer Pump to maintain sufficient supply to the Metering Pump. This is most common with today's blowing agents. Ensure the material temperature in the drums is no lower than the material suppliers' recommendation.
 - b. Failure to vent the material drum while drawing material out with the Transfer Pump causes a vacuum and cavitations in the Transfer Pump. Ensure the drum is vented to the atmosphere or a Desiccated Air Dyer Kit is installed as recommended by the material supplier.
 - c. Insufficient air volume for Transfer Pump or a partially closed Transfer Pump Air Valve will limit the ability of the Transfer Pump to operate at its maximum capability.
 - d. Inlet Material Screen (M, section 5) obstructed (See MAINTENANCE section, page 48).
 - e. Metering Pump Inlet Ball does not seat properly allowing material to flow back into the Material Delivery Hose when the Metering Pump is on the "Discharge" stroke. This causes the volume of material on that Metering Pump to be less on the discharge stroke resulting in intermittent off-ratio material and Pressure Gauge fluctuation.

- **Problem:** Pressure Loss: Discharge/Inlet Ball.

Solutions:

1. Simultaneous observation of the material Pressure Gauge (E, F, section 5) and Direction Indicator Light (Q, section 5) is necessary to determine which direction the Metering Pump fails to maintain pressure. Refer to the chart to determine problem:

	Left Arrow Directional Indicator Light ON	Right Arrow Directional Indicator Light ON
Iso Pressure Gauge FALLS	Iso Inlet Ball does not seat properly	Iso Discharge Ball does not seat properly
Poly Pressure Gauge FALLS	Poly Discharge Ball does not seat properly	Poly Inlet Ball does not seat properly

In most cases the cause of a leaking Inlet/Discharge Ball is foreign material preventing the Ball from seating properly. If the above steps do not resolve the problem, replace the appropriate Ball. For service see MAINTENANCE: METERING PUMP-LINE (page 52).

12.4 HOSE HEATING

WARNING! Before correcting any kind of defect, make sure the Main Power Switch is OFF and incoming power is locked OFF. NEVER access the inside of the Control Panel with the Proportioner power supply ON. The Heated Hose are components which reach high temperatures; you must wait until they have cooled before handling.

CAUTION! Excessive force opening or closing the Manual Valves may result in damage to the Manual Valves and/or Coupling Block.

Hose Heating Problems

Heated Hose does not heat and the display on the controller shows ambient temperature.	Page 44
Hose does not heat and the display on the controller shows an error message (SbEr).	Page 45
Heated hose controller shows excessive temperature.	Page 46
Hose will heat but does not come up to set temperature.	Page 46
Hose does not heat and the display on the controller shows an error message.	Page 46

Follow the recommended procedure in the indicated order to solve the problem and avoid unnecessary repairs. Make sure all Switches are in the correct position and Indicator Lights ON before determining the existence of a fault.

- **Problem:** Heated Hose does not heat and the display on the controller shows ambient temperature.

Solutions:

1. Check that the light on the on/off switch is lit when the heater is turned on, if not replace the switch.

If the light is on, move on to the next step.

2. Check the Hose Heat breaker in the main console and reset the breaker. If it continues to trip, wrap an Amp Clamp around one of the wires coming off the breaker. If it does not draw more than the rated value of the breaker, the breaker needs to be replaced.

If the breaker is not tripped, move on to the next step.

3. Check the circuit breaker mounted on the transformer and reset the breaker. If it continues to trip, wrap an Amp Clamp around one of the wires from the transformer going to the heated hose. If it does not draw more than the rated value of the breaker, the breaker needs to be replaced.

If the Amp Draw is less than the rated value, move on to the next step.

4. Check that the tap setting on the transformer is set for the proper hose length.

If it is set correctly, move to the next step.

5. To check the secondary side of the transformer, you must take an AC volt reading across the two leads coming out of the transformer that are connected to the “A” and “R” hose leads. If you are reading voltage (your volt reading will vary depending on what tap setting is used), most likely the problem is in the heated hose. Either a connector has come loose or there is a broken wire.
6. Because the gun whip takes the most abuse, it is most likely the whip that has failed. Disconnect the crossover wires on the machine end of the whip hose and connect the two wires together coming off the 50’ section. Turn on the hose heat and see if the hose heat circuit is operating; if so replace the whip. To take a continuity reading through the heated hose, one of the leads from the transformer to the “A” or “R” heated hose must be disconnected.

If no voltage is coming out of the transformer to the heated hose, move on to the next step.

7. Open the right side of the tank (where the transformer is located) and locate the solid state relay for the hose circuit (EL-35). With the hose turned on and the LED light illuminated on the relay, take a volt meter (set on DC) and measure across position A1 and A2; your reading should be 24 volts. Then take an AC volts measurement across position L1 and L2 (heavy wires). With the relay functioning properly you should have a 1 volt Reading. If the Reading is 18 to 90 volts AC, the relay has malfunctioned and needs to be replaced. If the AC Reading across L1 and L2 is .025 volts check the over temperature switches in the heaters. A defective over temperature switch will open a contactor disabling both Heaters and the Hose.

If there is no light on the solid state relay, move to the next step.

8. Using a DC volt meter, measure across position 5 and 6 on the back of the hose controller. This is the output of the controller and sends power to the solid state relay. Your reading will be **4-6 volts DC**. If there is no voltage, check to make sure that the set temperature of the controller is above ambient temperature. Before replacing the controller, read across position 1 and 2 to make sure that the controller is powered up; your reading will be 208 to 230 volts AC.

If there is no DC voltage to the relay, move to the next step.

- **Problem:** Hose does not heat and the display on the controller shows an error message (SbEr).

Solutions:

1. Check position 6 and 7 on the heater controller for loose wires.
If the wires are tight, move to the next step.
2. Remove the transformer cover and check that the thermocouple wires are secure to the harness going up to the controller. If there are no loose connections, disconnect the wire from the TSU and connect it directly to the thermocouple harness

coming out of the hose transformer.

If the controller still shows the error code, replace the hose thermocouple. If the error code goes away and temperature is now shown on the display of the controller, then all the TSU harnesses from the TSU to the transformer need to be checked for loose connectors or one or more of the harnesses are defective.

- **Problem:** Heated hose controller shows excessive temperature.

Solutions:

1. Set the controller set point at least 20 degrees lower than the temperature shown on the controller. Briefly turn on the hose and look for the led light on the solid state relay to be on.

If the light is on, replace the controller.

If the light is off, replace the solid state relay.

- **Problem:** Hose will heat but does not come up to set temperature.

Solutions:

1. Check the tap setting on the transformer to ensure that the correct position has been selected for the length of hose being used. Depending on the machines incoming voltage, you may have to move the tap setting higher (up one).

CAUTION! Do not exceed the trip value of the transformer hose breaker.

WARNING! Before correcting any kind of defect, make sure the Main Power Switch is OFF and incoming power is locked OFF. NEVER access the inside of the Control Panel with the Proprietor power supply ON.

- **Problem:** Hose does not heat and the display on the controller shows an error message.

Solutions:

1. Check position 9 and 10 on the heater controller for loose wires.

If the wires are tight, move to the next step.

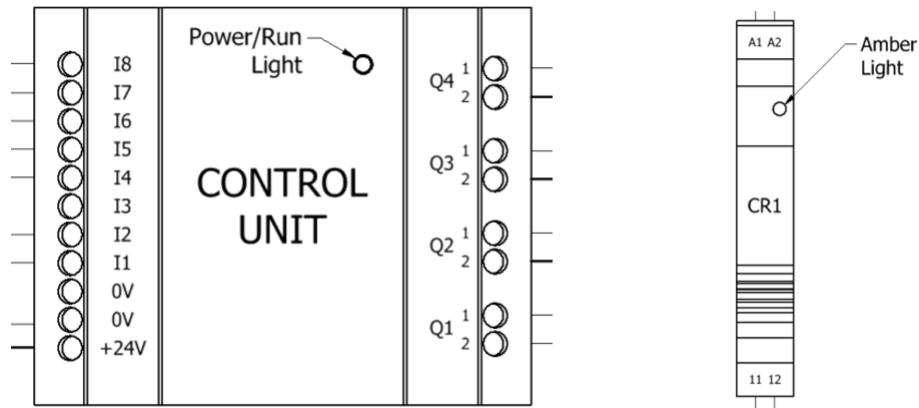
2. Remove the transformer cover and check that the thermocouple wires are secure to the harness going up to the controller. If there are no loose connections disconnect the wire from the TSU and connect it directly to the thermocouple harness coming out of the hose transformer.

If the controller still shows the error code, replace the hose thermocouple.

If the error code goes away and temperature is now shown on the display of the controller, then all the TSU harnesses from the TSU to the transformer need to be checked for loose connectors or one or more of the harnesses are defective.

12.5 PRESSURE BALANCE CONTROL







If the Pressure Balance Control box is not working properly, follow these steps to resolve the potential issue:



1. With the Main Power **ON**, check the Power/Run light on the Control Unit:
 - a. If **OFF**, the Control Unit is not getting power. Check for loose or poor wire connections. If the Power/Run light still does not turn on, contact your authorized PMC distributor.
 - b. If **SOLID**, the Control Unit has power but no program. Contact your authorized PMC distributor.
 - c. If **BLINKING**, the Control Unit has power and is programmed properly. Proceed to the next step.
2. With Main Power **ON**, turn the Rotary Switch to a Pressure Differential Number and check the Amber light on CR1:
 - a. If **OFF**, CR1 is not activating properly. Check for loose or poor wire connections between the Control Unit and CR1.
 - b. If **ON**, CR1 is activating, but the mechanical switch inside the relay may not be functioning properly. If the system has faulted (i.e. a pressure imbalance exists, the ON light turns off, and the FAULT light turns on), but the pumps do not shut off, check for continuity between contacts 11 and 12 on CR1. If there is continuity, contact your authorized PMC distributor. If there is discontinuity, proceed to the next step.
3. Contact your authorized PMC distributor for further assistance.

13 MAINTENANCE

To achieve maximum output from the PH Series Proportioner, a daily or regular maintenance schedule is required.

	<p><i>To prevent possible injury caused by incorrect handling of the raw materials and solvents used in the process, carefully read the Material Safety Data Sheet (MSDS) provided by your supplier. Deal with the waste caused according to current regulations.</i></p>
	<p><i>Disconnect the unit from the power supply before carrying out any operation inside the electrical console. The electrical maintenance of the machine must only be performed by a qualified electrician.</i></p>
	<p><i>To avoid damage caused by the impact of pressurized fluids, do not open any connection or perform maintenance work on components subject to pressure until the pressure has been completely eliminated.</i></p>
	<p><i>Use suitable protection when operating, maintaining or being present in the area where the equipment is functioning. This includes, but is not limited to, the use of protective goggles, gloves, shoes and safety clothing and breathing equipment.</i></p>
	<p><i>The equipment includes components that reach high temperatures and can cause burns. Hot parts of the equipment must not be handled or touched until they have cooled completely.</i></p>
	<p><i>To prevent serious injury through crushing or amputation, do not work with the equipment without the safety guards installed on the moving parts. Make sure that all the safety guards are correctly reinstalled at the end of the repair or maintenance work of the equipment.</i></p>

CAUTION! All repairs performed by unqualified personnel or the use of parts other than supplied by PMC may cause damage to the unit and put the operator at risk.

13.1 INLET MATERIAL SCREENS

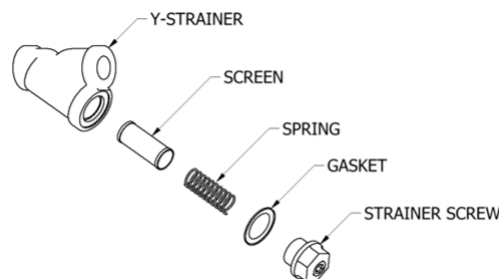
Inspection of the Inlet Material Screens on a daily basis is no longer necessary as long as the following conditions are met.

1. Material drums are stored within the recommended material storage temperature range and drums are not opened prior to installing the Proportioner Material Transfer Pumps.
2. Desiccant air dryers are used to dry replacement air as material is removed from the drums to the Proportioner.
3. Consolidation of old material into a common drum for use is minimized, especially the Iso (A).

If the above conditions are met, inspection of the Inlet Material Screens may be done on a **bi-weekly** basis.

NOTE! Inspect and clean Inlet Material Screens before Proportioner start-up. They should not be cleaned after the days' operation as the Proportioner should be purged (see page 24) immediately after inspection and cleaning. This is to reduce the risk of moisture contamination, contamination through the reaction with the solvent used in the cleaning operation, and cross-over at the Spray Gun due to air entrapment.

CAUTION! Make sure the Main Power Switch is OFF and incoming power is locked OFF.

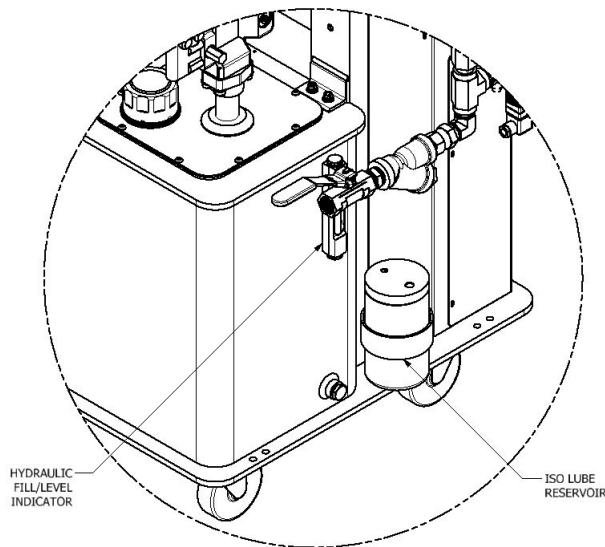


1. CLOSE the Poly (R) Proportioner Inlet Valve.
2. Place a suitable container under the Material Inlet Strainer to collect the residual material. Carefully loosen the Strainer Plug to drain material into the container.
3. Completely unscrew the Strainer Plug.
4. Remove the Seal, Spring and Screen and clean them with a suitable solvent. Dry the parts and ensure the Screen is not obstructed. Replace the Screen if more than 20% of the Screen surface is obstructed by residue.

5. Reinstall the Screen, Spring and Seal. Screw on the Strainer Screw and screw in Plug.
6. OPEN the Poly (R) Proportioner Inlet Valve, pressurize the Material Transfer Pump, check for leaks and wipe Y-strainer clean.
7. Repeat above for the Iso (A) side.
8. Proceed with Proportioner Purging operation (See page 24).

13.2 ISO LUBRICATION SYSTEM

DAILY: Check the condition of the PMC Lube Oil in the Iso Lube Reservoir. Replace the PMC Lube Oil if you see significant changes in the color or signs of solidification. Ensure inside of Reservoir is wiped clean.



To replace the Lube Oil, proceed as follows:

1. Remove the Lube Reservoir from its support, unscrew the Lid and remove the Check Valve from the Suction Hose.
2. Empty the contaminated Lube Oil in a waste container and refit the Check Valve in the Suction Hose.

NOTE! Valve is directional.

3. Clean the Reservoir, refill with Lube Oil, and screw on the Lid and place the Reservoir in its support.

The system is auto-suction and does not need priming.

13.3 HYDRAULIC DRIVE SYSTEM

WARNING! Before performing any maintenance, make sure the Main Power Switch is OFF and incoming power is locked OFF. The Hydraulic Unit is a component that works under pressure. Do not open any connection or carry out maintenance on components subject to pressure until all pressure has been bled to zero.

The hydraulic unit should be serviced yearly:

1. Completely drain the Tank of hydraulic fluid.
2. Clean the Tank Top to prevent foreign material from falling into the Tank when the Cover is removed.
3. Unscrew the Suction Pipe from its connection with the Hydraulic Pump.
4. Remove the Cover and Suction Pipe from the Hydraulic Tank. Take care not to damage Tank Cover Gasket.
5. Inspect the bottom of the Tank for sediment and clean as required. Clean the Suction Pipe and its connections.
6. Fill the Tank with 10 gal (37 L) of approved hydraulic fluid (See page 56 for recommendations).
7. Insert the Suction Pipe into the Tank Cover and install the Cover. Again, take care not to damage Tank Cover Gasket. Connect the Suction Pipe securely to the Hydraulic Pump.
8. Ensure the Hydraulic Pump Case is full of fluid and proceed with the normal operation.

13.4 METERING PUMP-LINE

WARNING! Before performing any maintenance, make sure the Main Power Switch is OFF and incoming power is locked OFF. Allow material temperature to cool below 80°F and bleed all material pressure to zero.

Weekly: When the Proportioning Pumps are functioning properly it is not unusual for a small amount of Poly (R) material to appear on the Pump Shaft. This material should be wiped away so dirt does not accumulate on the Pump Shaft and the Pump Shaft Packings are not damaged.

Yearly or as required: It is not unusual for those who use the PH Series Proportioner on a regular basis to rebuild the Proportioning Pumps on a yearly basis and service the Hydraulic Drive System (See page 51) at the same time, while the Proportioner is out of service.

13.5 PUMP BASE SERVICE

1. CLOSE appropriate Proportioner Inlet Material Supply Valve and remove Air Line from transfer pump.
2. Ensure all material pressure in the Proportioner system is zero and remove appropriate Retainer Nut.
3. For Inlet Ball:
 - Remove Inlet Ball with a magnet (DO NOT use any sharp object), clean Ball and Ball Seat, and inspect for foreign material and any damage on the Inlet Ball.
 - Using supplied Ball Seat Tool (TL-02), check for proper Ball Seat Gasket compression. Snug Seat up to 1/4 turn maximum 110ft-lbs (149Nm).
4. For Discharge Ball:
 - Remove Cage and Spring.
 - Remove Discharge Ball with a magnet (DO NOT use any sharp object), clean Ball and Ball Seat, and inspect for foreign material and any damage on the Discharge Ball.
 - Using supplied Ball Seat Tool (TL-02), check for proper Ball Seat Gasket compression. Snug Seat up to 1/4 turn maximum 30ft-lbs (41Nm).

13.6 PUMP SEAL REPLACEMENT

NOTE! Refer to Parts Identification for reference.

- When the Iso (A) Proportioning Pump Cylinder is disassembled for service, all parts included in the Pump Rebuild Kit (KT-07000, KT-07002, KT-07004, KT-07006) should be replaced.
- When the Poly (R) Proportioning Pump Cylinder is disassembled for service, all parts included in the Pump Rebuild Kit (KT-07001, KT-07003, KT-07005, KT-07007) should be replaced.
- When assembling Proportioning Pump lubricate all Seals, Piston Rod and Pump Cylinder with #1 Lithium Grease to assist in assembly and minimize Seal damage during re-assembly.
- When the Pump Line End Block is disassembled for service, all O-rings included in the O-ring Kit (KT-05009) should be replaced.
- After reassembly of the Proportioning Pumps torque the Assembly Bolts to 30ft-lbs (41Nm).

CAUTION! Use wooden or plastic tools or a brass brush for cleaning. Do not use metal or abrasive tools that can scratch the contact surfaces.

13.7 METERING PUMP REMOVAL

NOTE! When removing the Poly side pump, skip steps 3 and 4.

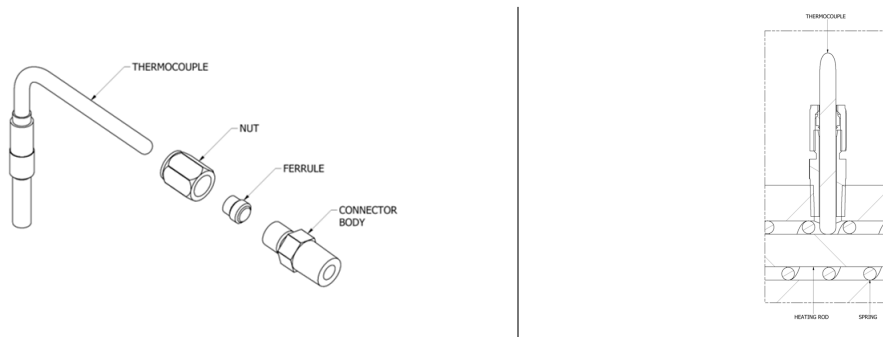
1. Put machine in retract position.
2. Turn off main power and discharge all pressure gauges to zero.
3. Disconnect the bottom elbow on the Iso lube cylinder and drain all Iso lube.
4. Disconnect the top hose going to Iso lube cylinder then uninstall red plug.
5. Remove clevis pin.
6. Disconnect the hose on the pump flange.
7. Disconnect the Y-strainer from elbow.
8. Carefully remove the four bolts and washers while holding the pump in place.

13.8 MATERIAL HEATER

WARNING! Before performing any maintenance, make sure the Main Power Switch is OFF and incoming power is locked OFF. NEVER access the inside of the Control Panel with the Proportioner power supply ON. The Heaters are components that reach high temperatures; you must wait until they have cooled before handling and bleed all material pressure to zero.

13.8.1 THERMOCOUPLE REPLACEMENT

NOTE! The Thermocouple is assembled into the Connector Body with a Ferrule and Nut. Once inserted into the Body and the Nut is tightened, the Ferrule locks to the Thermocouple and does not allow it to be relocated or moved. The location of the Thermocouple is very important and must be done correctly before tightening the Nut.



1. Unscrew the Nut that holds the defective Thermocouple and remove from the Body. Disconnect Thermocouple wiring located under the Top Cover of the Heater. Remove Body and discard.
2. Install Heating Element and Spring if also removed.
3. Install Connector Body into Heater using an open-end wrench and tighten to prevent leakage. Teflon Tape or appropriate Thread Sealant should be used.
4. Slide the Nut and the Ferrule over the Thermocouple and insert this assembly into the Connector Body until it comes into **positive physical contact** with the Heating Rod. Make sure the Spring does not prevent the Thermocouple from making contact with the Heating Rod.
5. Slowly tighten the Nut using an open-end wrench, ensuring the Thermocouple maintains positive physical contact with the Heating Rod.
6. Reinstall the Thermocouple wires.

WARNING! Before performing any maintenance, make sure the Main Power Switch is OFF and incoming power is locked OFF. NEVER access the inside of the Control Panel with the Proportioner power supply ON. The Heaters are components that reach high temperatures; you must wait until they have cooled before handling and bleed all material pressure to zero.

To replace a defect Heating Rod, proceed as follows:

1. Ensure Main Power Switch is OFF and incoming power is locked OFF. Depressurize proportioner and remove the Cover on Heater.

WARNING! If the Heating Rod to be replaced is the one in contact with the Thermocouple, it is necessary to remove the Thermocouple first. Do not loosen or tighten Thermocouple Body.

2. Disconnect the suspect Heating Rod from the wire connections and test the Heating Rod again for proper electrical resistance.

Heating Rod	Ohm Measurement per Rod	Total Ohm Measurement per Fluid Side
1250 WATT	39.0 Ω	13.0 Ω
1500 WATT	32.4 Ω	10.8 Ω
1750 WATT	27.5 Ω	9.2 Ω

3. Unscrew the Heating Rod and remove from the Heater Block along with its Spring and inspect; it must be smooth and shiny in appearance. If it is blackened or has material adhered to it replace the Heating Rod, even if ohm reading is acceptable.
4. Apply Teflon Tape or appropriate Thread Sealant to the Heating Rod thread and assemble Heating Rod and Spring into the Heater Block. Tighten securely to 110 ft/lbs (150 Nm).
5. If necessary carefully re-install Thermocouple ensuring positive physical contact with the Heating Rod. Make sure the Spring does not prevent the Thermocouple from making contact with the Heating Rod. Tighten Nut with open-end wrench.
6. Reconnect wire connections and replace Cover.
7. Ensure Heater is full of material prior to electrical testing.

14 HYDRAULIC OIL SPECIFICATIONS

Recommended Hydraulic Oil Specification:

ISO/ASTM Viscosity Grade 32

Viscosity:

28.8 – 35.2 SSU at 104°F Rust and Oxidation Inhibited

14.1 MANUFACTURERS

- Mobil DTE24 (Recommended)
- Cook's Albavis 8
- Ashland - Valvoline AW15
- Shell – Tellus 32(25)
- Sun Oil - Sunvis 706
- Chevron ISO32
- American Oil & Supply – PQ Iso 32
- Gulf Oil – Harmony 32AW (43AW)
- Atlantic Richfield – Duro AWS-150
- BP Oil – Energol HLP-C32
- Exxon – Nuto H-32(44)
- Margolis – T.I.P.100-15-7
- Fiske Bros. – Lubriplate Hyd. #0
- SW – Alemite Hydraulic HD #0
- Texaco – Rando HD32 (HD A0)
- White & Bagley – EP Hyd. 150

15 PARTS IDENTIFICATION

15.1 HYDRAULIC SEAL ASSEMBLY

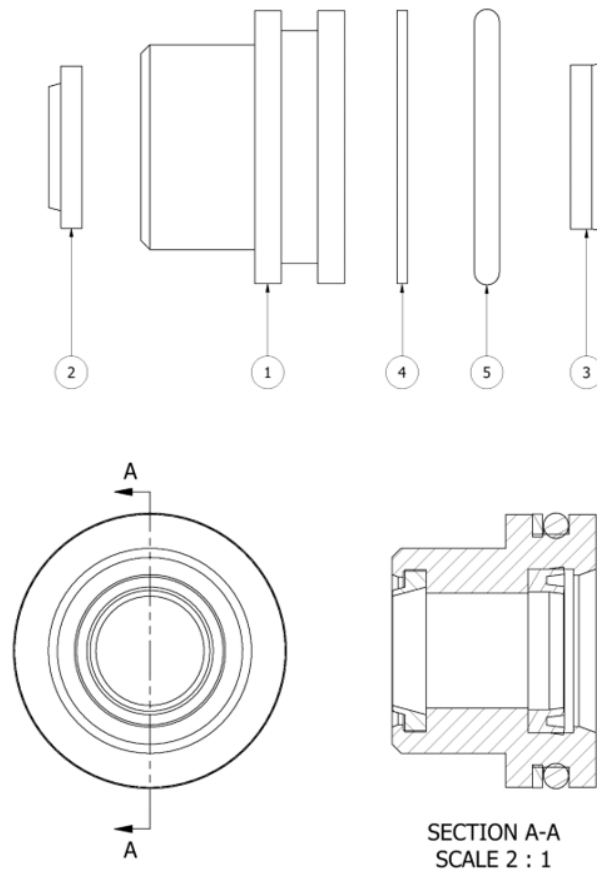


Figure 11: Hydraulic Seal Assembly

HYDRAULIC SEAL ASSEMBLY			
ITEM	QTY	PART NUMBER	DESCRIPTION
1	1	HI-05025-13	BUSHING, ROD
2	1	HI-05025-4	WIPER, ROD
3	1	HI-05025-5	SHAFT SEAL
4	1	HI-05025-6	BACK UP RING, BUSHING
5	1	OR-00039A	O-RING -218, HYD CYLINDER ROD

Hydraulic Cylinder Rebuild Kit is on page 61

15.2 HYDRAULIC PISTON ASSEMBLY

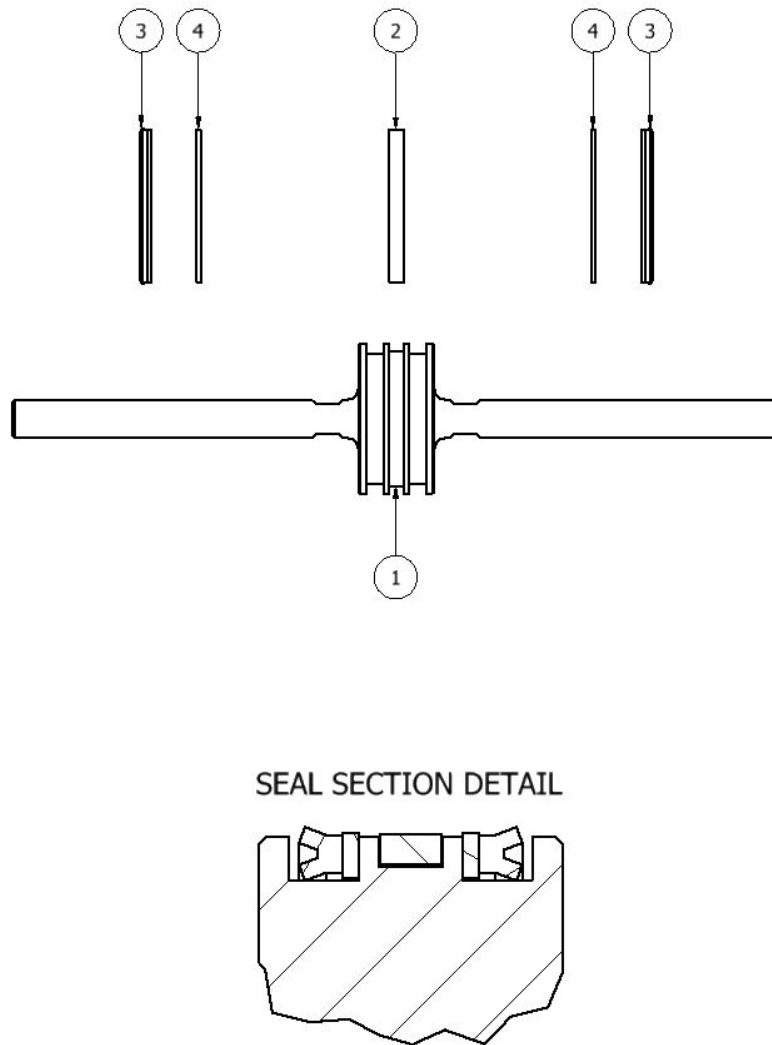


Figure 12: Hydraulic Piston Assembly

HYDRAULIC PISTON ASSEMBLY			
ITEM	QTY	PART NUMBER	DESCRIPTION
1	1	HI-05025-7	HYDRAULIC PISTON
2	1	HI-05025-3	WEAR RING
3	2	HI-05025-1	U-CUP
4	2	HI-05025-2	BACK-UP RING, PISTON

15.3 HYDRAULIC CYLINDER ASSEMBLY

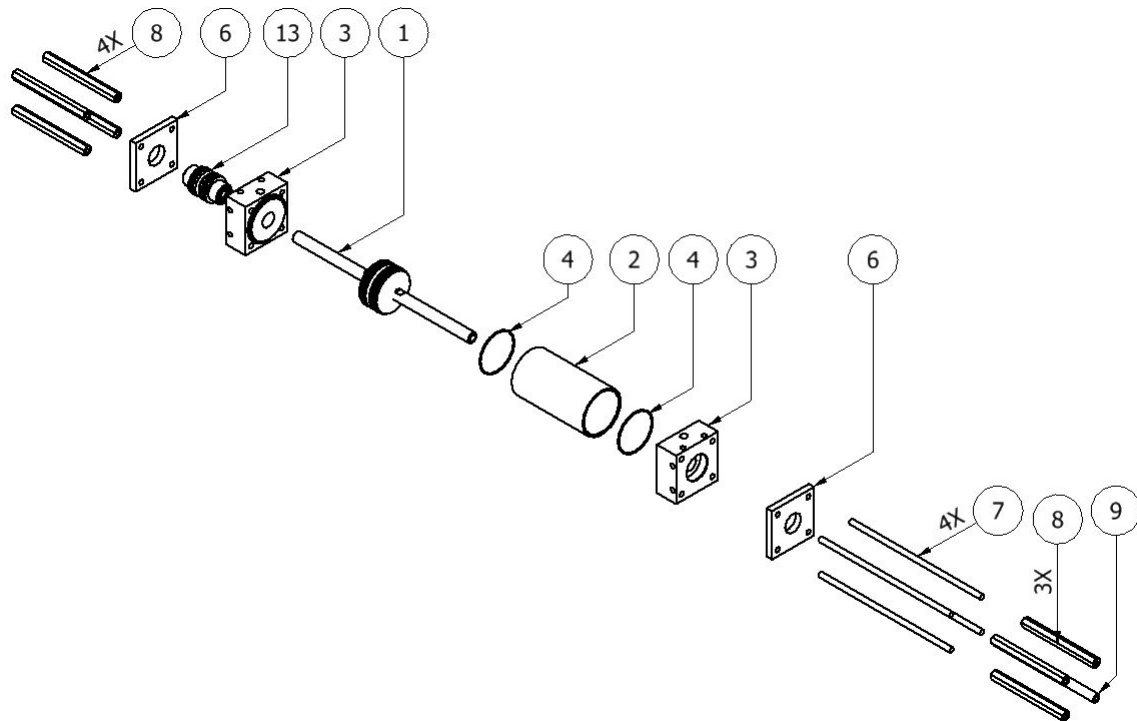


Figure 13: Hydraulic Cylinder Assembly (HI-05025A)

HYDRAULIC CYLINDER ASSEMBLY (HI-05025A)			
ITEM	QTY	PART NUMBER	DESCRIPTION
1	1	-	HYDRAULIC PISTON ASSEMBLY (SEE PAGE 58)
2	1	HI-05025-8	HYDRAULIC CYLINDER
3	2	HI-05025-9	PORT BLOCK, HYDRAULIC
4	2	OR-00040A	O-RING -036, VITON
5	2	-	HYDRAULIC SEAL ASSEMBLY (SEE PAGE 57)
6	2	HI-05025-10	RETAINER FLANGE
7	4	HI-05025-14	TIE ROD; 5/16-24
8	7	HI-05025-11	HYDRAULIC STANDOFF
9	1	HI-05025-12	REVERSING SWITCH STANDOFF

15.4 COMPLETE HYDRAULIC CYLINDER ASSEMBLY

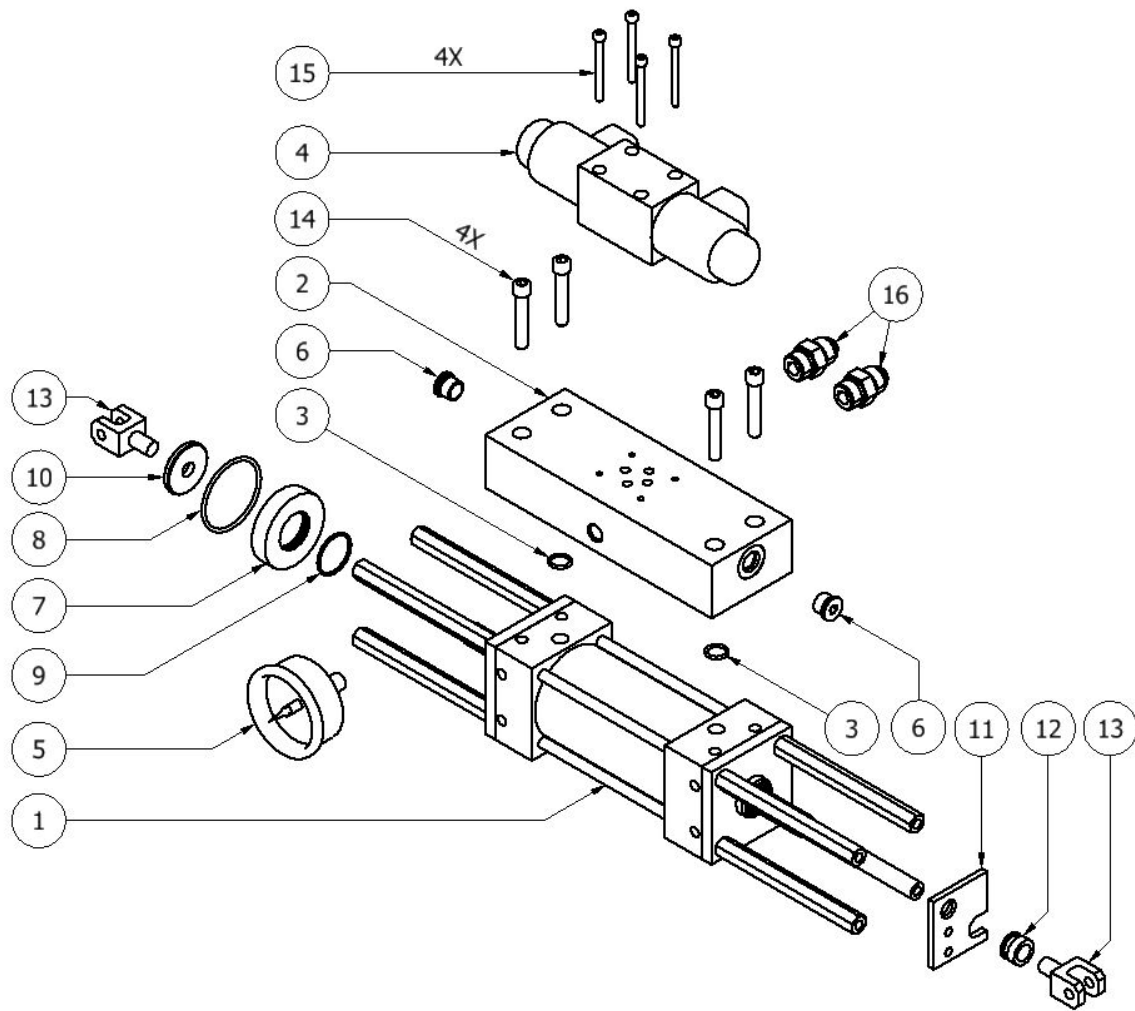


Figure 14: Complete Hydraulic Cylinder Assembly (HI-01)

COMPLETE HYDRAULIC CYLINDER ASSEMBLY (HI-01)			
ITEM	QTY	PART NUMBER	DESCRIPTION
1	1	HI-05025A	HYDRAULIC PISTON ASSEMBLY (SEE PAGE 59)
2	1	HI-05070	HYDRAULIC MANIFOLD; CLASSIC
3	2	OR-00038A	O-RING
4	1	HI-05003	DIRECTIONAL VALVE
5	1	HI-05040	PRESS GAUGE 0-2000 PSI
6	2	HI-05070-4	6 ORB PLUG
7	1	PU-05004	END CAP, CYLINDER
8	1	OR-00020A	O-RING -036, LUBE CYLINDER
9	1	OR-00044A	O-RING -024, LUBE CYLINDER
10	1	PU-05005	BAFFLE
11	1	PU-05009	PLATE, REVERSING SWITCH
12	1	PU-05010	BUSHING
13	2	PU-05006	CLEVIS, HYDRAULIC
14	4	202171	SHCS, 5/16-18 X 1.750, 18-8 SS
15	4	202203	SHCS, #10-24 X 2.000, 18-8 SS
16	2	HI-05012	3/4-16 ORB X 3/4-16 JIC

15.4.1 HYDRAULIC CYLINDER REBUILD KIT

HYDRAULIC CYLINDER REBUILD KIT (KT-05025)		
QTY	PART NUMBER	DESCRIPTION
2	HI-05025-1	U CUP
2	HI-05025-2	BACK-UP RING, PISTON
1	HI-05025-3	WEAR RING
2	HI-05025-4	WIPER, ROD
2	HI-05025-5	SHAFT SEAL
2	HI-05025-6	BACK-UP RING, BUSHING
2	OR-00038A	O-RING
2	OR-00039A	O-RING -218, HYD CYLINDER ROD
2	OR-00040A	O-RING -036, HYD CYLINDER

15.5 "R" PUMP ASSEMBLY

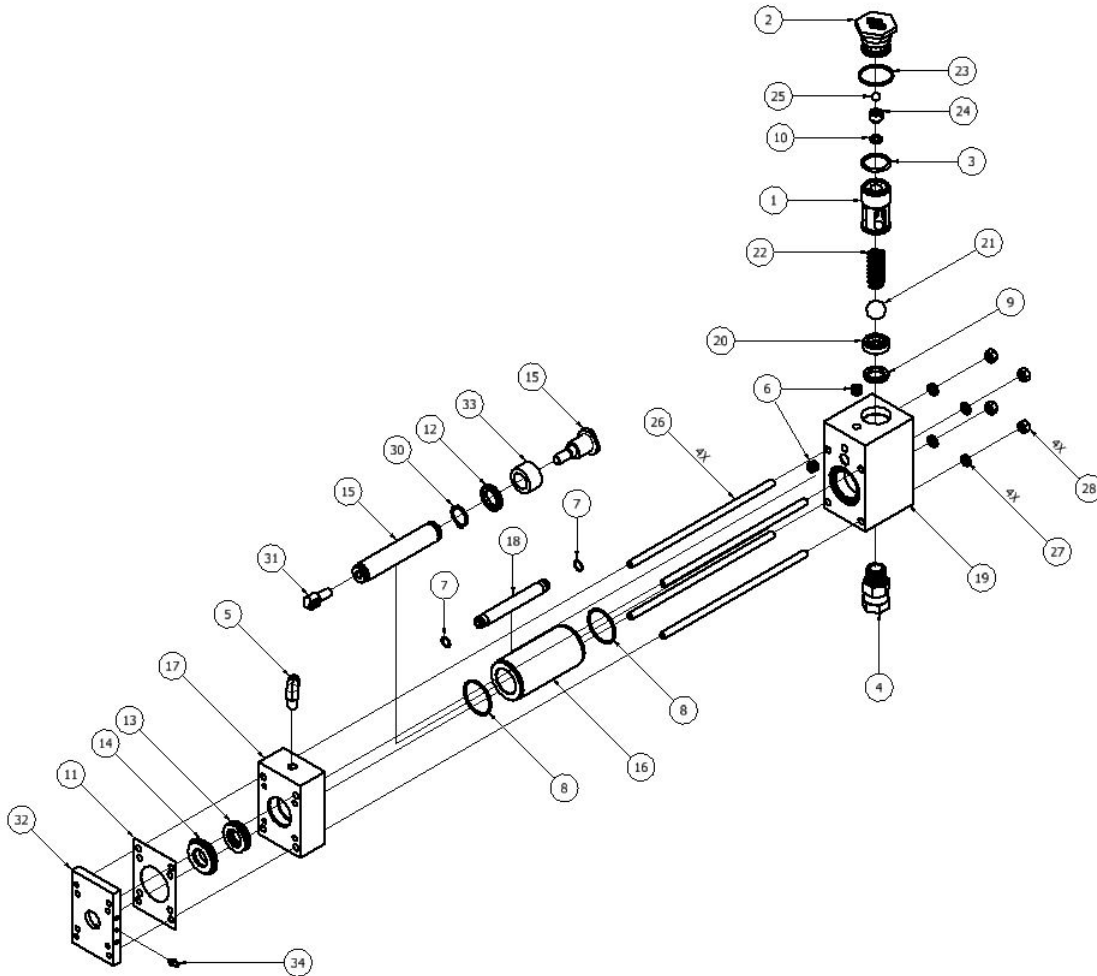


Figure 15: "R" Pump Assembly (PU-05002-XXX)

”R” PUMP ASSEMBLY			
(PU-05002-40)/(PU-05002-60)/(PU-05002-80)/(PU-05002-120)			
ITEM	QTY	PART NUMBER	DESCRIPTION
1	1	202220	SLEEVE, PUMP BASE
2	1	202221	RETAINING NUT, PUMP BASE
3	1	202228	O-RING -218, TEFLON, 55D
4	1	HI-05016	3/4 NPTM X 3/4 NPTF SW
5	1	HI-05038	1/4 NPT X 9/16-18 JIC 90 DEG
6	2	HI-05067	PIPE PLUG 1/4-18, 7/8 TAPER
7	2	OR-00011A	O-RING -014, CROSSOVER TUBE
8	2	OR-00046A	O-RING -133, VITON, 90D
9	1	PU-01003-DG	GASKET, INLET BALL SEAT
10	1	PU-01003-IG	GASKET, DISCHARGE BALL SEAT
11	1	PU-01013A	GASKET, CYLINDER FLANGE
12	1	PU-01016A-004	PISTON SEAL, 40 PUMP
	1	PU-01016A-006	PISTON SEAL, 60 PUMP
	1	PU-01016A-008	PISTON SEAL, 80 PUMP
	1	PU-01016A-012	PISTON SEAL, 120 PUMP
13	1	PU-03003	TRIPLE LIP SEAL, 40 PUMP
	1	PU-03002	TRIPLE LIP SEAL, 60 PUMP
	1	PU-03001	TRIPLE LIP SEAL, 80 PUMP
	1	PU-03000	TRIPLE LIP SEAL, 120 PUMP
14	1	PU-03013	SHAFT BEARING, 40 PUMP, R SIDE
	1	PU-03012	SHAFT BEARING, 60 PUMP, R SIDE
	1	PU-03011	SHAFT BEARING, 80 PUMP, R SIDE
	1	PU-03010	SHAFT BEARING, 120 PUMP, R SIDE
15	1	PU-05011-40	PUMP SHAFT ASSY, 40 PUMP
	1	PU-05011-60	PUMP SHAFT ASSY, 60 PUMP
	1	PU-05011-80	PUMP SHAFT ASSY, 80 PUMP
	1	PU-05011	PUMP SHAFT ASSY, 120 PUMP
16*	1	PU-05012-40	CYLINDER, 40 PUMP
	1	PU-05012-60	CYLINDER, 60 PUMP
	1	PU-05012-80	CYLINDER, 80 PUMP
	1	PU-05012	CYLINDER, 120 PUMP
17	1	PU-05014-40	FLANGE, 40 PUMP
	1	PU-05014-60	FLANGE, 60 PUMP
	1	PU-05014-80	FLANGE, 80 PUMP
	1	PU-05014	FLANGE, 120 PUMP

ITEM	QTY	PART NUMBER	DESCRIPTION
18	1	PU-05017	CROSSOVER TUBE
19	1	PU-05018	PUMP BASE
20	1	PU-05019	SEAT, INLET
21	1	PU-05020	BALL, INLET
22	1	PU-05021	SPRING
23	1	PU-05023-1	GASKET, PUMP RETAINER NUT
24	1	PU-05024	SEAT, DISCHARGE
25	1	PU-05025	BALL, DISCHARGE
26	4	PU-05026	TIE ROD, 3/8-24
27	4	PU-05027	WASHER
28	4	PU-05028	NUT
29	1	PU-05029-40	PIN, 40 PUMP
	1	PU-05029-60	PIN, 60 PUMP
	1	PU-05029-80	PIN, 80 PUMP
	1	PU-05029	PIN, 120 PUMP
30	1	PU-05030-40	SNAP RING, 40 PUMP
	1	PU-05030-60	SNAP RING, 60 PUMP
	1	PU-05030-80	SNAP RING, 80 PUMP
	1	PU-05030	SNAP RING, 120 PUMP
31	1	PU-05031-40	CLEVIS, PISTON, 40 PUMP
	1	PU-05031-60	CLEVIS, PISTON, 60 PUMP
	1	PU-05031-80	CLEVIS, PISTON, 80 PUMP
	1	PU-05031	CLEVIS, PISTON, 120 PUMP
32	1	PU-05032-40	FLANGE, PACKING RETAINER, 40 PUMP
	1	PU-05032-60	FLANGE, PACKING RETAINER, 60 PUMP
	1	PU-05032-80	FLANGE, PACKING RETAINER, 80 PUMP
	1	PU-05032	FLANGE, PACKING RETAINER, 120 PUMP
33	1	PU-05044	BEARING, PISTON, 40 PUMP
	1	PU-05043	BEARING, PISTON, 60 PUMP
	1	PU-05042	BEARING, PISTON, 80 PUMP
	1	PU-05041	BEARING, PISTON, 120 PUMP
34	1	TN-04186	GREASE FITTING

15.5.1 "R" PUMP REBUILD KITS

40 "R" PUMP REBUILD KIT (KT-07007)		
QTY	PART NUMBER	DESCRIPTION
1	KT-01016A-004	PISTON SEAL, 40 PUMP
2	OR-00011A	O-RING, 12X12MM ID
2	OR-00046A	O-RING -133, VITON, 90D
1	OR-00051B	O-RING -218, AFLAS, 80D
1	PU-01013A	GASKET, CYLINDER FLANGE
1	PU-05029-40	PIN, 40 PUMP
1	PU-03013	SHAFT BEARING, 40 PUMP
1	PU-05044	PISTON BEARING, 40 PUMP
1	PU-03003	TRIPLE LIP SEAL, 40 PUMP
1	PU-03023	BULLET, 40 PUMP
2	TN-04199	SHCS, 3/8-24 X 2.50
2	OR-00045A	O-RING -028, VITON, 90D
1	PU-01003-IG	GASKET, DISCHARGE BALL SEAT
1	PU-01003-DG	GASKET, INLET BALL SEAT
1	PU-05023-1	GASKET, PUMP RETAINER NUT

60 "R" PUMP REBUILD KIT (KT-07005)		
QTY	PART NUMBER	DESCRIPTION
1	PU-01016A-006	PISTON SEAL, 60 PUMP
2	OR-00011A	O-RING, 12X12MM ID
2	OR-00046A	O-RING -133, VITON, 90D
1	OR-00051B	O-RING -218, AFLAS, 80D
1	PU-01013A	GASKET, CYLINDER FLANGE
1	PU-05029-60	PIN, 60 PUMP
1	PU-03012	SHAFT BEARING, 60 PUMP
1	PU-05043	PISTON BEARING, 60 PUMP
1	PU-03002	TRIPLE LIP SEAL, 60 PUMP
1	PU-03022	BULLET, 60 PUMP
2	TN-04199	SHCS, 3/8-24 X 2.50
2	OR-00045A	O-RING -028, VITON, 90D

80 "R" PUMP REBUILD KIT (KT-07003)		
QTY	PART NUMBER	DESCRIPTION
1	PU-01016A-008	PISTON SEAL, 80 PUMP
2	OR-00011A	O-RING, 12X12MM ID
2	OR-00046A	O-RING -133, VITON, 90D
1	OR-00051B	O-RING -218, AFLAS, 80D
1	PU-01013A	GASKET, CYLINDER FLANGE
1	PU-05029-80	PIN, 80 PUMP
1	PU-03011	SHAFT BEARING, 80 PUMP
1	PU-05042	PISTON BEARING, 80 PUMP
1	PU-03001	TRIPLE LIP SEAL, 80 PUMP
1	PU-03020	BULLET, 80 PUMP
2	TN-04199	SHCS, 3/8-24 X 2.50
2	OR-00045A	O-RING -028, VITON, 90D
1	PU-01003-IG	GASKET, DISCHARGE BALL SEAT
1	PU-01003-DG	GASKET, INLET BALL SEAT
1	PU-05023-1	GASKET, PUMP RETAINER NUT
1	PU-05030-80	SNAP RING, 80 PUMP

120 "R" PUMP REBUILD KIT (KT-07001)		
QTY	PART NUMBER	DESCRIPTION
1	KT-01016A-012	PISTON SEAL, 120 PUMP
2	OR-00011A	O-RING, 12X12MM ID
2	OR-00046A	O-RING -133, VITON, 90D
1	OR-00051B	O-RING -218, AFLAS, 80D
1	PU-01013A	GASKET, CYLINDER FLANGE
1	PU-05029	PIN, 120 PUMP
1	PU-03010	SHAFT BEARING, 120 PUMP
1	PU-05041	PISTON BEARING, 120 PUMP
1	PU-03000	TRIPLE LIP SEAL, 120 PUMP
1	PU-03019	BULLET, 120 PUMP
2	TN-04199	SHCS, 3/8-24 X 2.50
2	OR-00045A	O-RING -028, VITON, 90D
1	PU-01003-IG	GASKET, DISCHARGE BALL SEAT
1	PU-01003-DG	GASKET, INLET BALL SEAT
1	PU-05023-1	GASKET, PUMP RETAINER NUT
1	PU-05030	SNAP RING, 120 PUMP

15.6 "A" PUMP ASSEMBLY

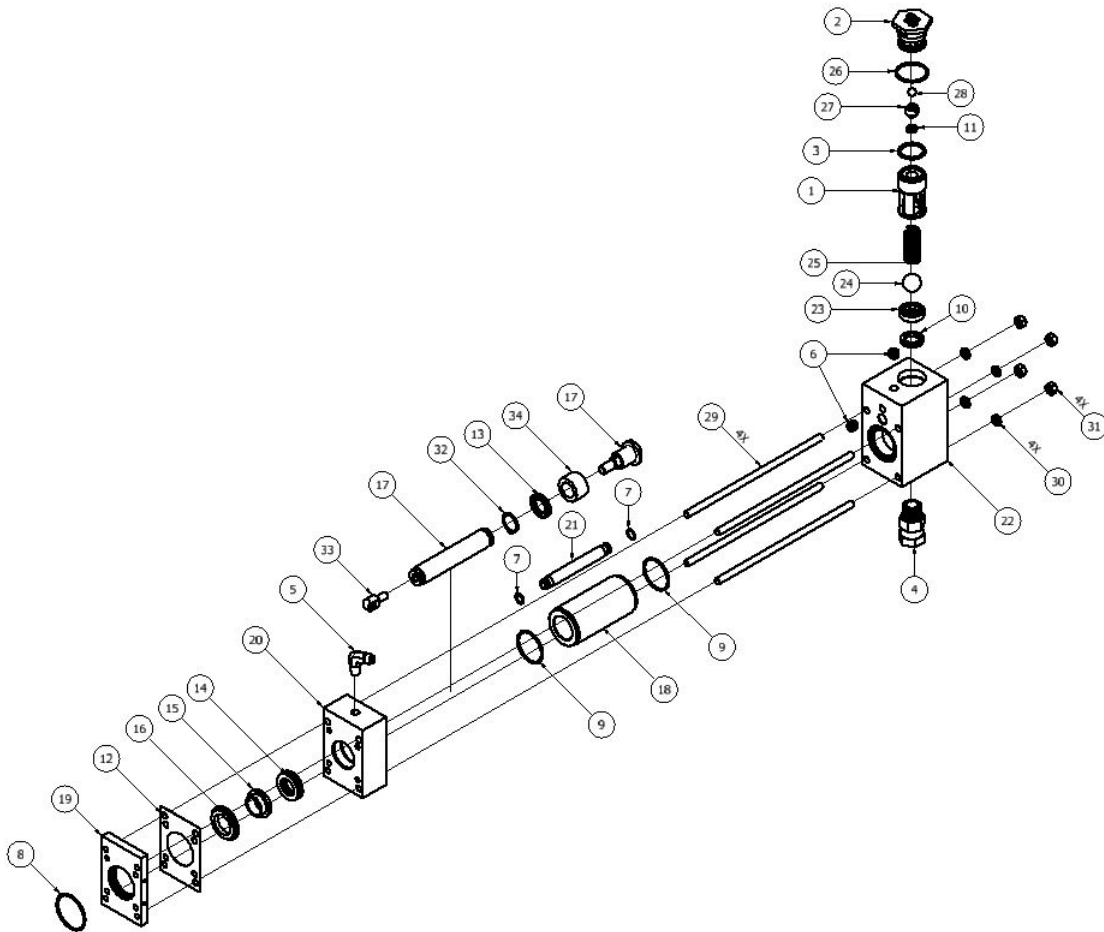


Figure 16: "A" Pump Assembly (PU-05001-XXX)

”A” PUMP ASSEMBLY			
(PU-05001-40)/(PU-05001-60)/(PU-05001-80)/(PU-05001-120)			
ITEM	QTY	PART NUMBER	DESCRIPTION
1	1	202220	SLEEVE, PUMP BASE
2	1	202221	RETAINING NUT, PUMP BASE
3	1	202228	O-RING -218, TEFLON, 55D
4	1	HI-05016	3/4 NPTM X 3/4 NPTF SW
5	1	HI-05038	1/4 NPT X 9/16-18 JIC 90 DEG
6	2	HI-05067	PIPE PLUG 1/4-18, 7/8 TAPER
7	2	OR-00011A	O-RING -014, CROSSOVER TUBE
8	1	OR-00020A	O-RING -136, VITON
9	2	OR-00046A	O-RING -133, VITON, 90D
10	1	PU-01003-DG	GASKET, INLET BALL SEAT
11	1	PU-01003-IG	GASKET, DISCHARGE BALL SEAT
12	1	PU-01013A	GASKET, CYLINDER FLANGE
13	1	PU-01016A-004	PISTON SEAL, 40 PUMP
	1	PU-01016A-006	PISTON SEAL, 60 PUMP
	1	PU-01016A-008	PISTON SEAL, 80 PUMP
	1	PU-01016A-012	PISTON SEAL, 120 PUMP
14	1	PU-03003	TRIPLE LIP SEAL, 40 PUMP
	1	PU-03002	TRIPLE LIP SEAL, 60 PUMP
	1	PU-03001	TRIPLE LIP SEAL, 80 PUMP
	1	PU-03000	TRIPLE LIP SEAL, 120 PUMP
15	1	PU-03008	SHAFT BEARING, 40 PUMP, A SIDE
	1	PU-03007	SHAFT BEARING, 60 PUMP, A SIDE
	1	PU-03006	SHAFT BEARING, 80 PUMP, A SIDE
	1	PU-03005	SHAFT BEARING, 120 PUMP, A SIDE
16	1	PU-03017	RETAINING RING, 40 PUMP, A SIDE
	1	PU-03016	RETAINING RING, 60 PUMP, A SIDE
	1	PU-03016	RETAINING RING, 80 PUMP, A SIDE
	1	PU-03015	RETAINING RING, 120 PUMP, A SIDE
17	1	PU-05011-40	PUMP SHAFT ASSY, 40 PUMP
	1	PU-05011-60	PUMP SHAFT ASSY, 60 PUMP
	1	PU-05011-80	PUMP SHAFT ASSY, 80 PUMP
	1	PU-05011	PUMP SHAFT ASSY, 120 PUMP

ITEM	QTY	PART NUMBER	DESCRIPTION
18	1	PU-05012-40	CYLINDER, 40 PUMP
	1	PU-05012-60	CYLINDER, 60 PUMP
	1	PU-05012-80	CYLINDER, 80 PUMP
	1	PU-05012	CYLINDER, 120 PUMP
19	1	PU-05013	FLANGE, PACKING RETAINER, A SIDE
20	1	PU-05014-40	FLANGE, 40 PUMP
	1	PU-05014-60	FLANGE, 60 PUMP
	1	PU-05014-80	FLANGE, 80 PUMP
	1	PU-05014	FLANGE, 120 PUMP
21	1	PU-05017	CROSSOVER TUBE
22	1	PU-05018	PUMP BASE
23	1	PU-05019	SEAT, INLET
24	1	PU-05020	BALL, INLET
25	1	PU-05021	SPRING
26	1	PU-05023-1	GASKET, PUMP RETAINER NUT
27	1	PU-05024	SEAT, DISCHARGE
28	1	PU-05025	BALL, DISCHARGE
29	4	PU-05026	TIE ROD, 3/8-24
30	4	PU-05027	WASHER
31	4	PU-05028	NUT
32	1	PU-05030-40	SNAP RING, 40 PUMP
	1	PU-05030-60	SNAP RING, 60 PUMP
	1	PU-05030-80	SNAP RING, 80 PUMP
	1	PU-05030	SNAP RING, 120 PUMP
33	1	PU-05031-40	CLEVIS, PISTON, 40 PUMP
	1	PU-05031-60	CLEVIS, PISTON, 60 PUMP
	1	PU-05031-80	CLEVIS, PISTON, 80 PUMP
	1	PU-05031	CLEVIS, PISTON, 120 PUMP
34	1	PU-05044	BEARING, PISTON, 40 PUMP
	1	PU-05043	BEARING, PISTON, 60 PUMP
	1	PU-05042	BEARING, PISTON, 80 PUMP
	1	PU-05041	BEARING, PISTON, 120 PUMP

15.6.1 "A" PUMP REBUILD KITS

40 "A" PUMP REBUILD KIT (KT-07006)		
QTY	PART NUMBER	DESCRIPTION
1	KT-01016A-004	PISTON SEAL, 40 PUMP
2	OR-00011A	O-RING, 12X12MM ID
2	OR-00046A	O-RING -133, VITON, 90D
1	OR-00051B	O-RING -218, AFLAS, 80D
1	PU-01013A	GASKET, CYLINDER FLANGE
1	PU-05029-40	PIN, 40 PUMP
1	PU-03008	SHAFT BEARING, 40 PUMP
1	PU-05044	PISTON BEARING, 40 PUMP
1	PU-03003	TRIPLE LIP SEAL, 40 PUMP
1	PU-03023	BULLET, 40 PUMP
2	TN-04199	SHCS, 3/8-24 X 2.50
2	OR-00045A	O-RING -028, VITON, 90D
1	PU-01003-IG	GASKET, DISCHARGE BALL SEAT
1	PU-01003-DG	GASKET, INLET BALL SEAT
1	PU-05023-1	GASKET, PUMP RETAINER NUT
1	PU-03017	RETAINING RING, 40 PUMP, A SIDE
2	OR-00020A	O-RING -136, VITON
1	OR-00044A	O-RING -024
1	PU-03021	SEAL TOOL, A SIDE
1	RA-00065A	PLUG, PUMP CYLINDER

60 "A" PUMP REBUILD KIT (KT-07004)		
QTY	PART NUMBER	DESCRIPTION
1	KT-01016A-006	PISTON SEAL, 60 PUMP
2	OR-00011A	O-RING, 12X12MM ID
2	OR-00046A	O-RING -133, VITON, 90D
1	OR-00051B	O-RING -218, AFLAS, 80D
1	PU-01013A	GASKET, CYLINDER FLANGE
1	PU-05029-60	PIN, 60 PUMP
1	PU-03007	SHAFT BEARING, 60 PUMP
1	PU-05044	PISTON BEARING, 40 PUMP
1	PU-03003	TRIPLE LIP SEAL, 40 PUMP
1	PU-03023	BULLET, 40 PUMP
2	TN-04199	SHCS, 3/8-24 X 2.50
2	OR-00045A	O-RING -028, VITON, 90D
1	PU-01003-IG	GASKET, DISCHARGE BALL SEAT
1	PU-01003-DG	GASKET, INLET BALL SEAT
1	PU-05023-1	GASKET, PUMP RETAINER NUT
1	PU-03016	RETAINING RING, 80 PUMP, A SIDE
2	OR-00020A	O-RING -136, VITON
1	OR-00044A	O-RING -024
1	PU-03021	SEAL TOOL, A SIDE
1	RA-00065A	PLUG, PUMP CYLINDER

80 "A" PUMP REBUILD KIT (KT-07002)		
QTY	PART NUMBER	DESCRIPTION
1	KT-01016A-008	PISTON SEAL, 80 PUMP
2	OR-00011A	O-RING, 12X12MM ID
2	OR-00046A	O-RING -133, VITON, 90D
1	OR-00051B	O-RING -218, AFLAS, 80D
1	PU-01013A	GASKET, CYLINDER FLANGE
1	PU-05029-80	PIN, 80 PUMP
1	PU-03006	SHAFT BEARING, 60 PUMP
1	PU-05042	PISTON BEARING, 80 PUMP
1	PU-03001	TRIPLE LIP SEAL, 80 PUMP
1	PU-03020	BULLET, 80 PUMP
2	TN-04199	SHCS, 3/8-24 X 2.50
2	OR-00045A	O-RING -028, VITON, 90D
1	PU-01003-IG	GASKET, DISCHARGE BALL SEAT
1	PU-01003-DG	GASKET, INLET BALL SEAT
1	PU-05023-1	GASKET, PUMP RETAINER NUT
1	PU-03016	RETAINING RING, 80 PUMP, A SIDE
2	OR-00020A	O-RING -136, VITON
1	OR-00044A	O-RING -024
1	PU-03021	SEAL TOOL, A SIDE
1	RA-00065A	PLUG, PUMP CYLINDER
1	PU-05030-80	SNAP RING, 80 PUMP

120 "A" PUMP REBUILD KIT (KT-07000)		
QTY	PART NUMBER	DESCRIPTION
1	KT-01016A-012	PISTON SEAL, 120 PUMP
2	OR-00011A	O-RING, 12X12MM ID
2	OR-00046A	O-RING -133, VITON, 90D
1	OR-00051B	O-RING -218, AFLAS, 80D
1	PU-01013A	GASKET, CYLINDER FLANGE
1	PU-05029	PIN, 120 PUMP
1	PU-03005	SHAFT BEARING, 120 PUMP
1	PU-05041	PISTON BEARING, 120 PUMP
1	PU-03000	TRIPLE LIP SEAL, 120 PUMP
1	PU-03019	BULLET, 120 PUMP
2	TN-04199	SHCS, 3/8-24 X 2.50
2	OR-00045A	O-RING -028, VITON, 90D
1	PU-01003-IG	GASKET, DISCHARGE BALL SEAT
1	PU-01003-DG	GASKET, INLET BALL SEAT
1	PU-05023-1	GASKET, PUMP RETAINER NUT
1	PU-03017	RETAINING RING, 40 PUMP, A SIDE
2	OR-00020A	O-RING -136, VITON
1	OR-00044A	O-RING -024
1	PU-03021	SEAL TOOL, A SIDE
1	RA-00065A	PLUG, PUMP CYLINDER
1	PU-05030	SNAP RING, 120 PUMP

15.7 PUMP-LINE ASSEMBLY

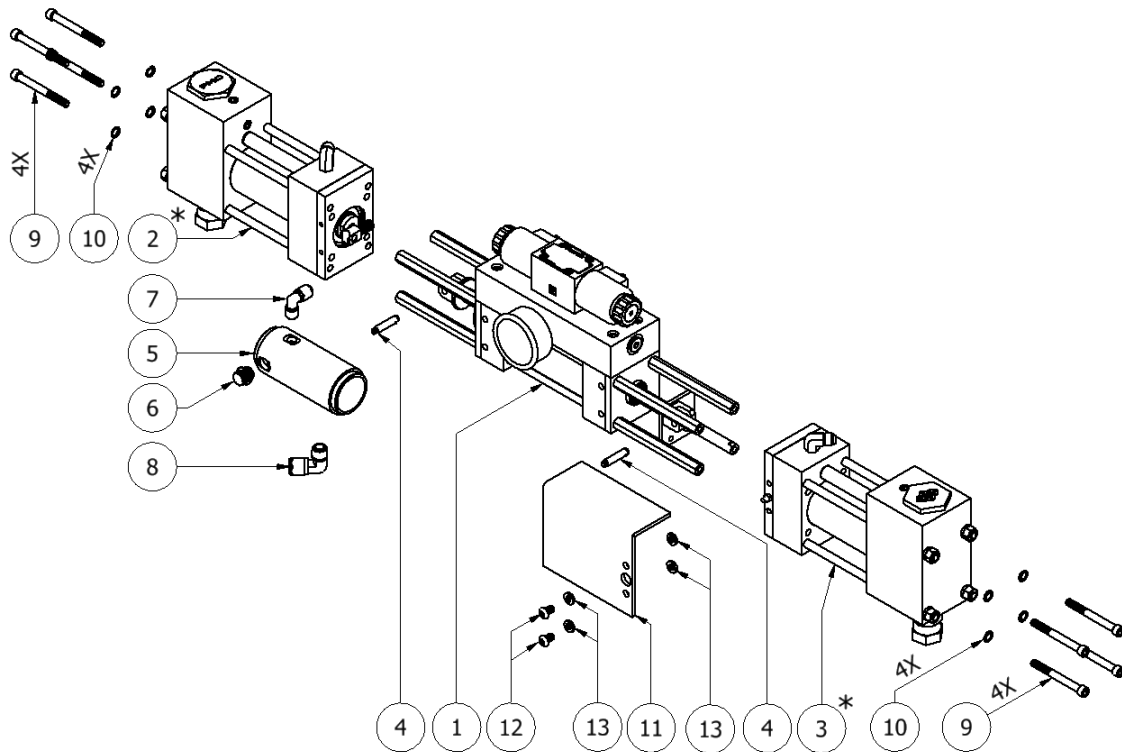


Figure 17: Pump-Line Assembly (PL-1A/PL-2)

PUMP-LINE ASSEMBLY (PL-1A/PL-2)			
ITEM	QTY	PART NUMBER	DESCRIPTION
1	1	HI-01	HYDRAULIC CYLINDER COMPLETE
2	1	PU-05001-XXX	"A" PUMP ASSEMBLY, SIZE XXX
3	1	PU-05002-XXX	"R" PUMP ASSEMBLY, SIZE XXX
4	2	PU-05007	PIN, CLEVIS
5	1	PU-05003	LUBE CYLINDER
6	1	RA-00065A	PUMP CYLINDER PLUG
7	1	RA-00066A	CBMB 90DEG MALE ELBOW NPT
8	1	RA-00067A	CBMB 90DEG MALE ELBOW NPT
9	8	PU-05008	MOUNTING BOLT
10	8	PU-05008-1	SERRATED WASHER 5/16
11	1	PU-01027	ACTIVATOR PLATE COVER
12	2	202105	BHCS, 5/16-18 X 0.500, 18-8 SS
13	4	202163	NEOPRENE WASHER, .290 ID

15.7.1 PUMP BASE REPAIR KIT

PUMP BASE UPGRADE KIT, SPLIT SLEEVE (202305)		
QTY	PART NUMBER	DESCRIPTION
1	202220	SLEEVE, PUMP BASE
1	202221	RETAINER NUT, PUMP BASE
1	202228	O-RING -218, TEFLON, 55D
1	PU-01003-IG	GASKET, DISCHARGE BALL SEAT
1	PU-05023-1	GASKET, PUMP RETAINER NUT
1	PU-05024	SEAT, DISCHARGE
1	PU-05025	BALL, DISCHARGE

PUMP BASE REPAIR KIT, SPLIT SLEEVE (202355)		
QTY	PART NUMBER	DESCRIPTION
1	200706	CHECK VALVE REMOVAL TOOL, PUMP
1	HI-05067	PIPE PLUG 1/4-18, 7/8 TAPER
1	OR-00045A	O-RING -028, VITON, 90D
1	202228	O-RING -218, TEFLON, 55D
1	PU-01003-DG	GASKET, INLET BALL SEAT
1	PU-01003-IG	GASKET, DISCHARGE BALL SEAT
1	PU-05019	SEAT, INLET
1	PU-05020	BALL, INLET
1	PU-05021	SPRING
1	PU-05023-1	GASKET, PUMP RETAINER NUT
1	PU-05024	SEAT, DISCHARGE
1	PU-05025	BALL, DISCHARGE
1	TL-02	TOOL, BALL SEAT REMOVAL
1	OR-00051B	O-RING -218, AFLAS 80D

PUMPLINE O-RING KIT (KT-05009)		
QTY	PART NUMBER	DESCRIPTION
4	OR-00011A	O-RING, 12X12MM ID
4	OR-00046A	O-RING -133, VITON, 90D
2	OR-00051B	O-RING -218, AFLAS, 80D
2	PU-01013A	GASKET, CYLINDER FLANGE
1	OR-00044A	O-RING -024
2	OR-00020A	O-RING -136, VITON

15.8 INLET MONITORING ASSEMBLY

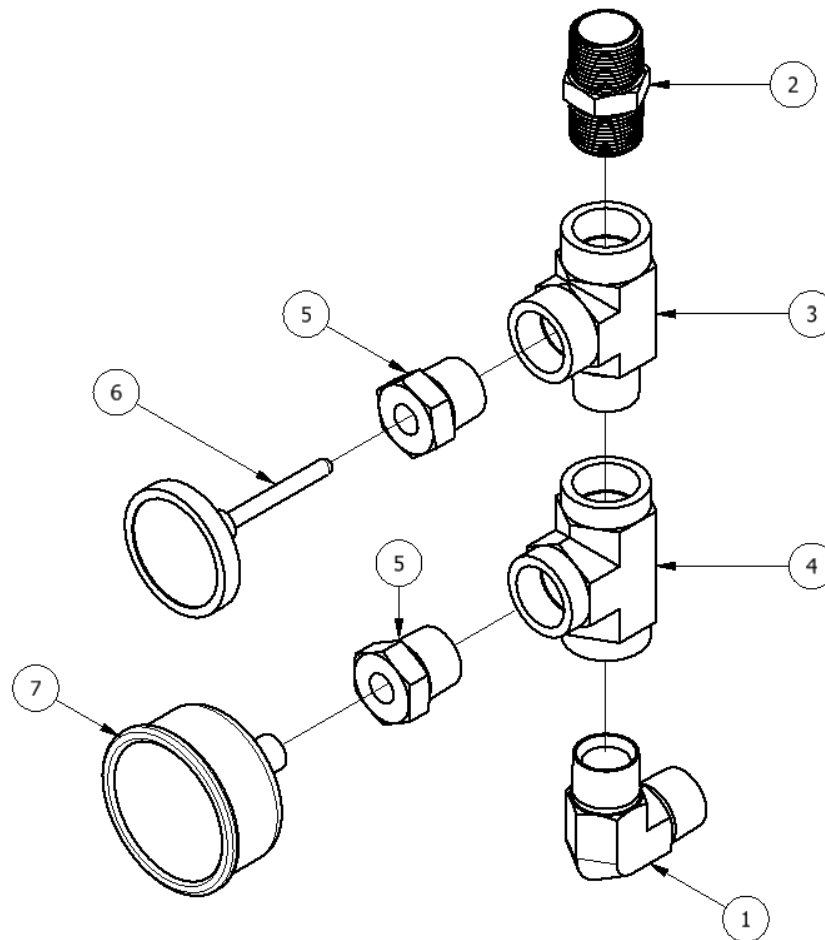


Figure 18: Inlet Monitoring Assembly (KT-05005)

INLET MONITORING ASSEMBLY (KT-05005)			
ITEM	QTY	PART NUMBER	DESCRIPTION
1	2	HI-05015	FTG, 90 DEG, 3/4 MNPTF, STEEL
2	2	HI-05017	FTG, UNION, 3/4 MNPTF, STEEL
3	2	HI-05051	FTG, RUN TEE, 3/4 MNPTF, STEEL
4	2	HI-05052	PARKER PIPE FEMALE TEE
5	4	HI-05053	FTG, RDCR, 3/4 MNPTF, 1/4 FNPTF, STEEL
6	2	HI-05055	GAUGE, TEMP, 0-200 F
7	2	HI-05103	PRESS GAUGE 0-600 PSI

15.9 Y-STRAINER ASSEMBLY "A" SIDE

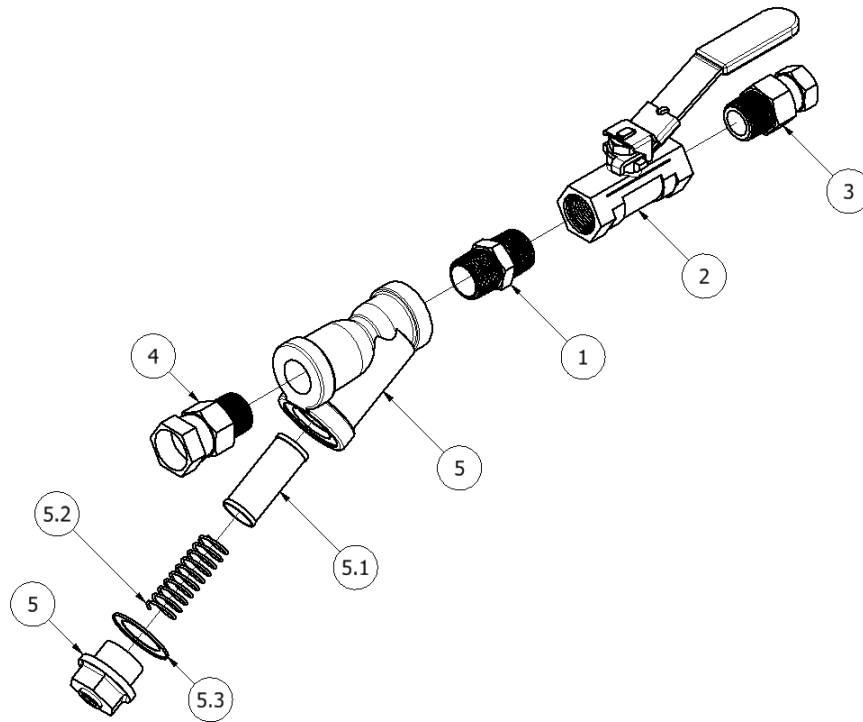


Figure 19: Y-Strainer Assembly "A" Side (YS-1)

Y-STRAINER ASSEMBLY "A" SIDE (YS-1)			
ITEM	QTY	PART NUMBER	DESCRIPTION
1	1	HI-05017	3/4 MNPT UNION
2	1	RA-00078A	3/4 BALL VALVE SS
3	1	HI-05018	3/4 NPT X 1/2 NPT SW
4	1	HI-05016	3/4 NPTM X 3/4 NPTF SW
5	1	RA-00074-00A	Y-STRAINER ASSY
5.1	1	RA-00074-03-XXA	FILTER SCREEN 30/60/80
5.2	1	SP-00009A	FILTER SCREEN SPRING
5.3	1	RA-00074-02A	GASKET, Y-STRAINER

Note: Items 5.1-5.3 can be order separately but are all included in purchase of Item 5 (RA-00074-00A)

15.10 Y-STRAINER ASSEMBLY "R" SIDE

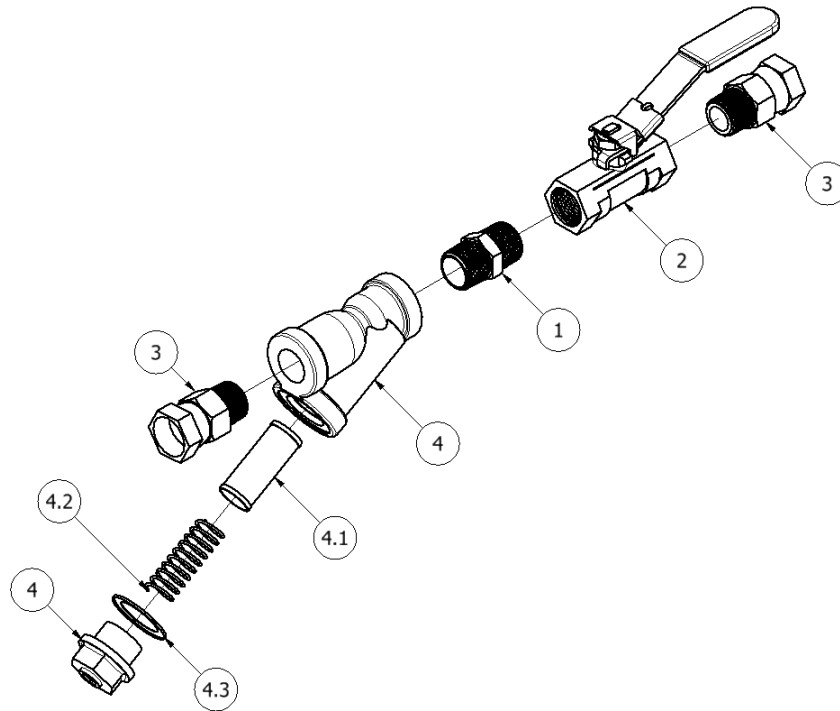


Figure 20: Y-Strainer Assembly "R" Side (YS-2)

Y-Strainer Assembly "R" Side (YS-2)			
ITEM	QTY	PART NUMBER	DESCRIPTION
1	1	HI-05017	3/4 MNPT UNION
2	1	RA-00078A	3/4 BALL VALVE SS
3	2	HI-05016	3/4 NPTM X 3/4 NPTF SW
4	1	RA-00074-00A	Y-STRAINER ASSY
4.1	1	RA-00074-03-XXA	FILTER SCREEN 30/60/80
4.2	1	SP-00009A	FILTER SCREEN SPRING
4.3	1	RA-00074-02A	GASKET, Y-STRAINER

Note: Items 4.1-4.3 can be order separately but are all included in purchase of Item 4 (RA-00074-00A)

15.11 HEATER ASSEMBLY

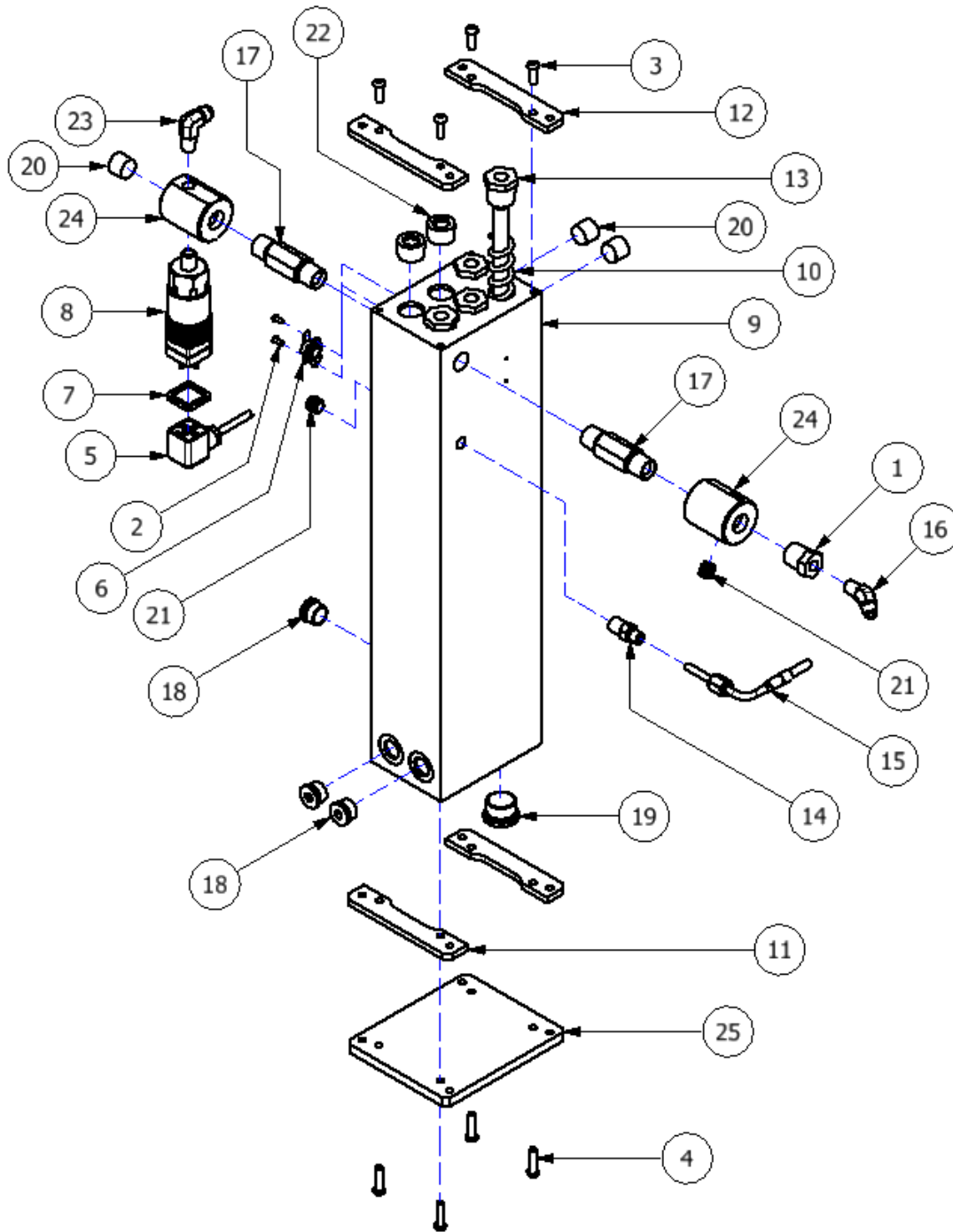


Figure 21: Heater Assembly, 4 Rod

HEATER ASSEMBLY				
PH-1 (5,000W)/PH-3 (6,000W)/PH-11 (4,000W)				
PH-2 (5,000W)/PH-4 (6,000W)/PH-12 (4,000W)				
ITEM	QTY	PART NUMBER	DESCRIPTION	WHERE USED
1	1	200219	1/2 NPTF MALE X 1/2 NPTF FEMALE	ALL
2	2	201561	BHCS, #6-32 X 0.375, 18-8 SS	ALL
3	4	201899	BHCS, 1/4-20 X 0.750, 19-8 SS	ALL
4	4	201902	BHCS, 1/4-20 X 1.000, 18-8 SS	ALL
5	1	202190	CABLE, OP, PH25/40	ALL
6	1	EL-00006A	OVERTEMP SWITCH	ALL
7	1	EL-00053	GASKET, SOLENOID VALVE	ALL
8	1	EL-42-2200	PRESSURE SWITCH, 2200 PSI	PH-25
	1	EL-42-3750	PRESSURE SWITCH, 3750 PSI	PHX-25
9	1	GM-05423-1	HEATER BODY	ALL
10	6	GM-05423-7	SPRING 18"	ALL
11	2	GM-05423-9	PHENOLIC STANDOFF, FRONT	ALL
12	2	GM-05423-10	PHENOLIC STANDOFF, BACK	ALL
13	4	GM-05423-1000	FIRE ROD, 1000W, 3/4 NPT, 17.5"	PH-11 & PH-12
	4	GM-05423-1250	FIRE ROD, 1250W, 3/4 NPT, 17.5"	PH-1 & PH-2
	4	GM-05423-1500	FIRE ROD, 1500W, 3/4 NPT, 17.5"	PH-3 & PH-4
14*	1	HI-05020	THERMOCOUPLE NUT	ALL
15*	1	HI-05021	THERMOCOUPLE TYPE E	ALL
16	1	HI-05026	OUTLET HEATER FITTING "R"	PH-2 & PH-4 & PH-12
	1	HI-05027	OUTLET HEATER FITTING "A"	PH-1 & PH-3 & PH-11
17	2	HI-05032	1/2 NPT LONG HEX NIPPLE	ALL
18	3	HI-05033	3/4-16 O-RING PLUG	ALL
19	6	HI-05034	12 ORB PLUG	ALL
20	3	HI-05035	1/2 NPT FLUSH SEAL PIPE PLUG	ALL
21	2	HI-05036	1/4 NPT FLUSH SEAL PIPE PLUG	ALL
22	2	HI-05037	3/4 NPT FLUSH SEAL PIPE PLUG	ALL
23	1	HI-05038	1/4 NPT X 9/16-18 JIC, 90 DEG	ALL
24	2	HI-05046-1/2	GAUGE MANIFOLD, 1/2 OUTLET	ALL
25	1	RM-05700-17	HEATER BOTTOM, MOUNTING PLATE	ALL

* Indicates part included in KT-05021: Heater Thermocouple Kit

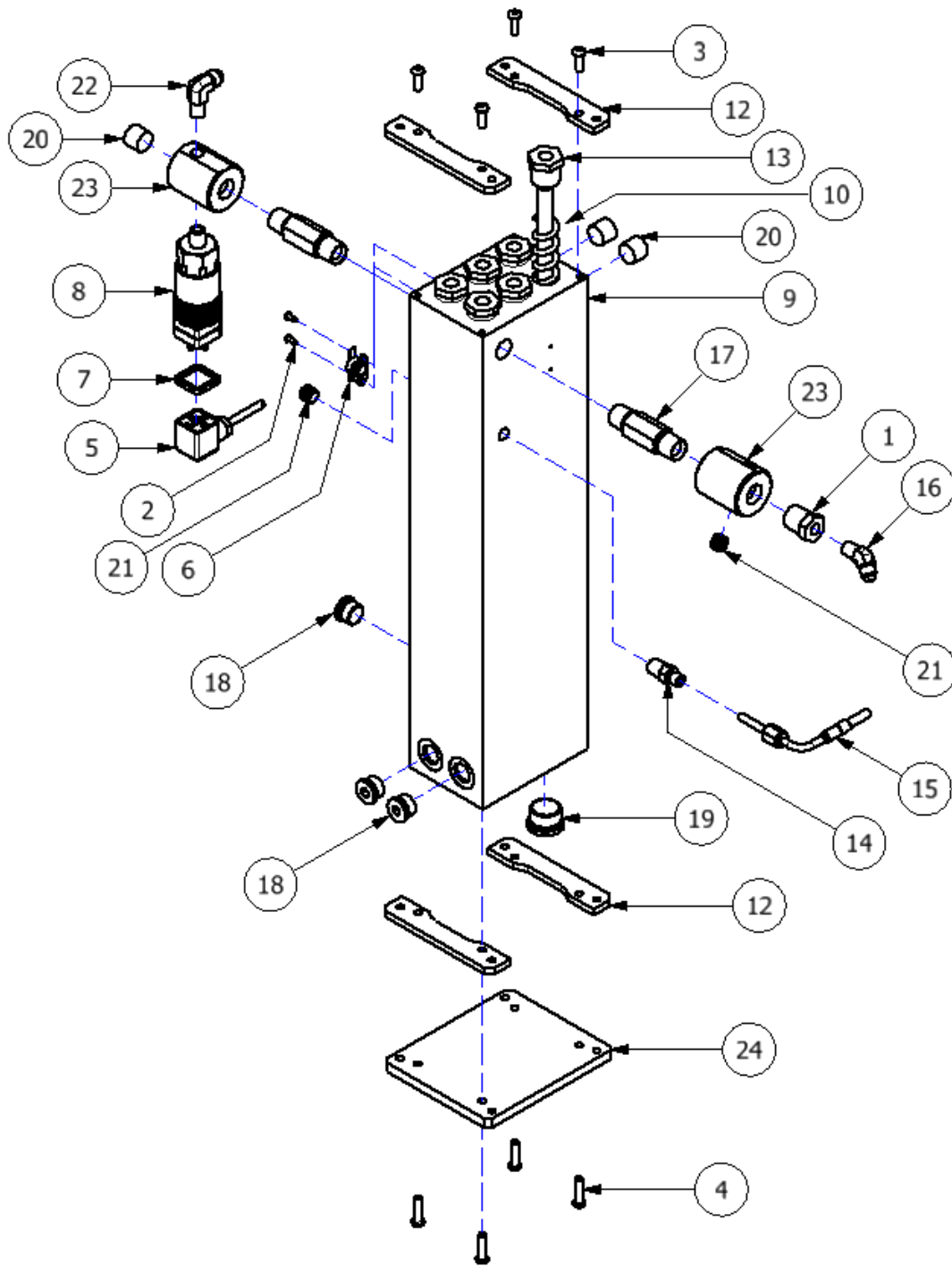


Figure 22: Heater Assembly, 6 Rod

HEATER ASSEMBLY
PH-5 (7,500W)/PH-7 (9,000W)/PH-9 (10,500W)
PH-6 (7,500W)/PH-8 (9,000W)/PH-10 (10,500W)

ITEM	QTY	PART NUMBER	DESCRIPTION	WHERE USED
1	1	200219	1/2 NPTF MALE X 1/2 NPTF FEMALE	ALL
2	2	201561	BHCS, #6-32 X 0.375, 18-8 SS	ALL
3	4	201899	BHCS, 1/4-20 X 0.750, 19-8 SS	ALL
4	4	201902	BHCS, 1/4-20 X 1.000, 18-8 SS	ALL
5	1	202190	CABLE, OP, PH25/40	ALL
6	1	EL-00006A	OVERTEMP SWITCH	ALL
7	1	EL-00053	GASKET, SOLENOID VALVE	ALL
8	1	EL-42-2200	PRESSURE SWITCH, 2200 PSI	PH-40
	1	EL-42-3750	PRESSURE SWITCH, 3750 PSI	PHX-40
9	1	GM-05423-1	HEATER BODY	ALL
10	6	GM-05423-7	SPRING 18"	ALL
11	2	GM-05423-9	PHENOLIC STANDOFF, FRONT	ALL
12	2	GM-05423-10	PHENOLIC STANDOFF, BACK	ALL
13	6	GM-05423-1250	FIRE ROD, 1250W, 3/4 NPT, 17.5"	PH-5 & PH-6
	6	GM-05423-1500	FIRE ROD, 1500W, 3/4 NPT, 17.5"	PH-7 & PH-8
	6	GM-05423-1750	FIRE ROD, 1750W, 3/4 NPT, 17.5"	PH-9 & PH-10
14*	1	HI-05020	THERMOCOUPLE NUT	ALL
15*	1	HI-05021	THERMOCOUPLE TYPE E	ALL
16	1	HI-05026	OUTLET HEATER FITTING "R"	PH-6 & PH-8 & PH-10
	1	HI-05027	OUTLET HEATER FITTING "A"	PH-5 & PH-7 & PH-9
17	2	HI-05032	1/2 NPT LONG HEX NIPPLE	ALL
18	3	HI-05033	3/4-16 O-RING PLUG	ALL
19	6	HI-05034	12 ORB PLUG	ALL
20	3	HI-05035	1/2 NPT FLUSH SEAL PIPE PLUG	ALL
21	2	HI-05036	1/4 NPT FLUSH SEAL PIPE PLUG	ALL
22	1	HI-05038	1/4 NPT X 9/16-18 JIC, 90 DEG	ALL
23	2	HI-05046-1/2	GAUGE MANIFOLD, 1/2 OUTLET	ALL
24	1	RM-05700-17	HEATER BOTTOM, MOUNTING PLATE	ALL

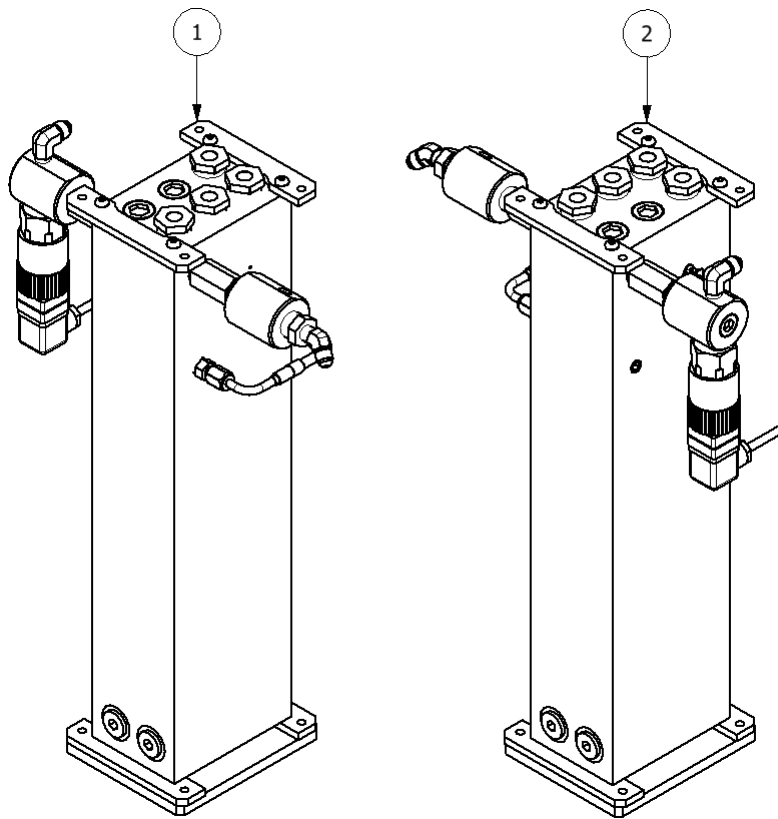


Figure 23: Heater Assembly, 4 Rod, "A" Side / "R" Side

HEATER ASSEMBLY			
ITEM	QTY	PART NUMBER	DESCRIPTION
1	1	PH-1	HEATER ASSY "A" SIDE, 5.0 kW
	1	PH-3	HEATER ASSY "A" SIDE, 6.0 kW
	1	PH-11	HEATER ASSY "A" SIDE, 4.0 kW
2	1	PH-2	HEATER ASSY "R" SIDE, 5.0 kW
	1	PH-4	HEATER ASSY "R" SIDE, 6.0 kW
	1	PH-12	HEATER ASSY "R" SIDE, 4.0 kW

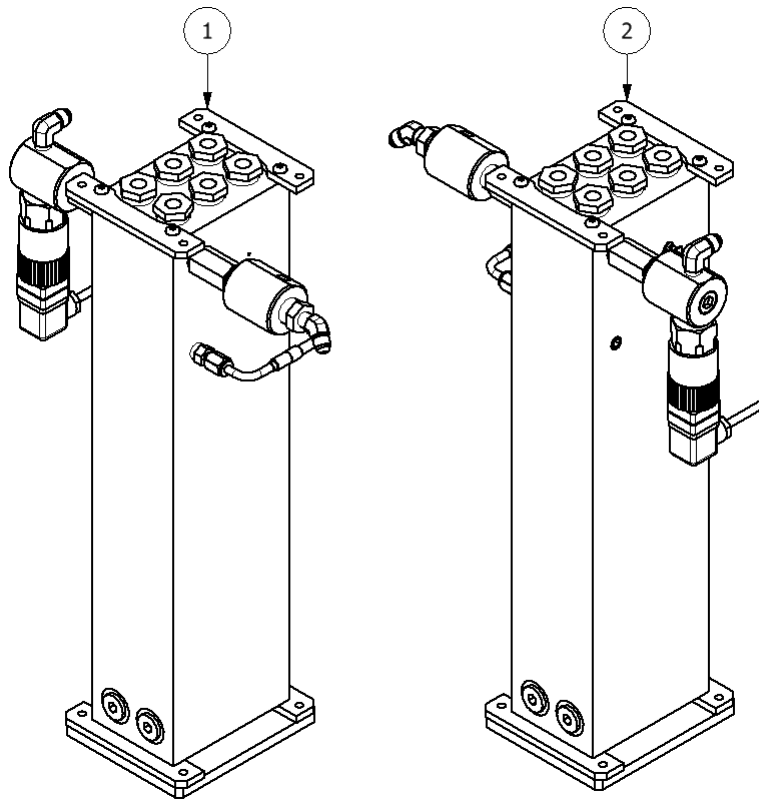


Figure 24: Heater Assembly, 6 Rod, "A" Side / "R" Side

HEATER ASSEMBLY			
ITEM	QTY	PART NUMBER	DESCRIPTION
1	1	PH-5	HEATER ASSY "A" SIDE, 7.5 kW
	1	PH-7	HEATER ASSY "A" SIDE, 9.0 kW
	1	PH-9	HEATER ASSY "A" SIDE, 10.5 kW
2	1	PH-6	HEATER ASSY "R" SIDE, 7.5 kW
	1	PH-8	HEATER ASSY "R" SIDE, 9.0 kW
	1	PH-10	HEATER ASSY "R" SIDE, 10.5 kW

15.11.1 HEATER THERMOCOUPLE KIT

HEATER THERMOCOUPLE KIT (KT-05021)		
QTY	PART NUMBER	DESCRIPTION
1	HI-05020	THERMOCOUPLE NUT
1	HI-05021	THERMOCOUPLE TYPE E

15.12 PRESSURE TRANSDUCER ASSEMBLY

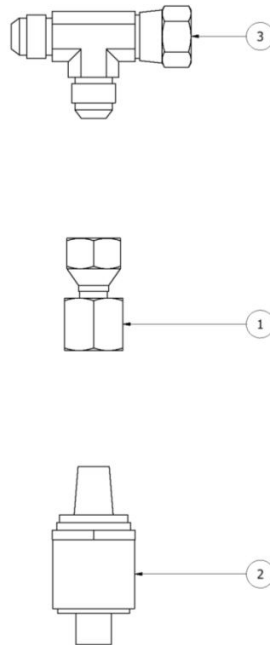


Figure 25: Pressure Transducer Assembly (EL-200)

PRESSURE TRANSDUCER ASSEMBLY (EL-200)			
ITEM	QTY	PART NUMBER	DESCRIPTION
1	1	HI-05006-6	1/4 NPT X 6 JIC GAUGE FITTING
2	1	EL-195	0-5000 PRESSURE TRANSDUCER
3	1	HI-05006-5	6 JIC SWIVEL NUT RUN TEE

15.13 BLEED VALVE KIT

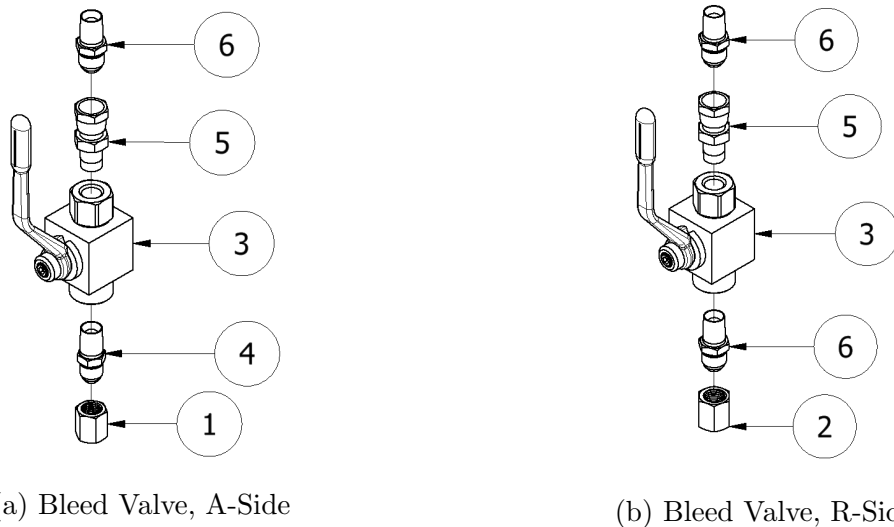


Figure 26: Bleed Valve Kit (202455)

BLEED VALVE KIT (202455)			
ITEM	QTY	PART NUMBER	DESCRIPTION
1	1	200226	5/16" JIC SOLID CAP
2	1	200227	3/8" JIC SOLID CAP
3	2	202430	BALL VALVE, 1/4 NPT, 5,000 PSI
4	1	EL-00051A-4	1/4 X #5 JIC MALE FTG
5	2	EL-00051A-5	1/4 X #6 JIC FEMALE SWIVEL FTG
6	3	EL-00051A-6	1/4 X #6 JIC MALE FTG

15.14 MOTOR-LINE ASSEMBLY

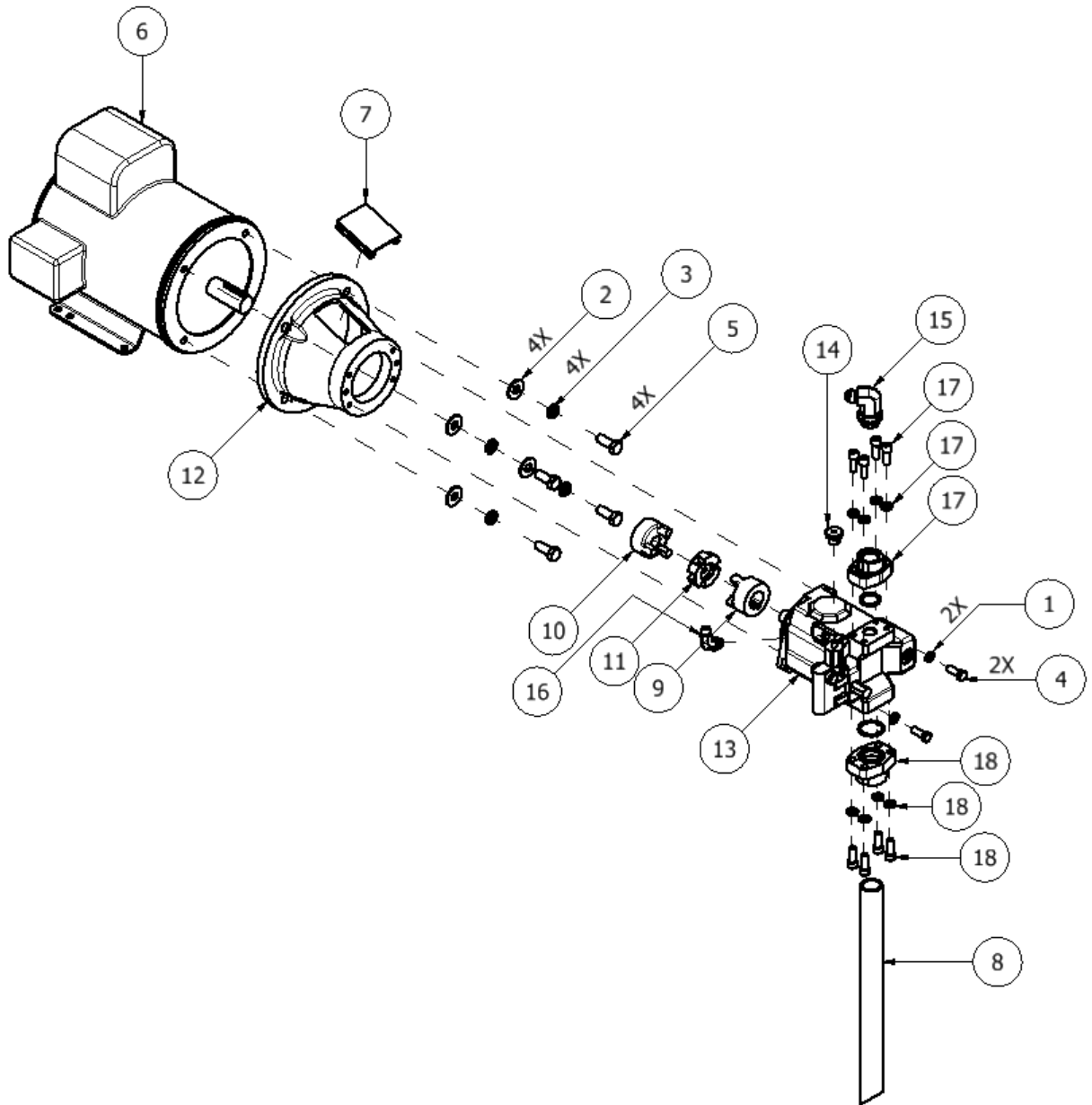


Figure 27: Motor-Line Assembly (ML-1/ML-2/ML-3/ML-4)

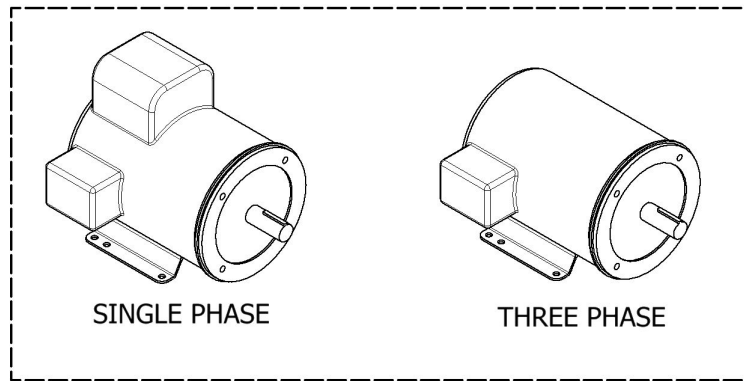


Figure 28: Motor Comparison

MOTOR-LINE ASSEMBLY (ML-1/ML-2)			
ITEM	QTY	PART NUMBER	DESCRIPTION
1	10	201628	WASHER, LOCK, 3/8, 18-8 SS
2	4	201629	WASHER, FLAT, 1/2, 18-8 SS
3	4	201630	WASHER, LOCK, 1/2, 18-8 SS
4	2	202152	HHCS, 3/8-16 X 1.000, ZP GRD8
5	4	202207	HHCS, 1/2-13 X 1.25, ZP GRD8
6	1	EL-05224	ELECTRIC MOTOR, 3HP, 3PH, 60HZ
	1	EL-05221	ELECTRIC MOTOR, 3HP, 1PH, 60HZ
	1	EL-05222	ELECTRIC MOTOR, 5HP, 1PH, 60HZ
	1	EL-05223	ELECTRIC MOTOR, 5HP, 3PH, 60HZ
7	1	HI-00005-03	ACCESS COVER
8	1	HI-00049A	1X16 BLACK PIPE FOR HYDRAULIC
9	1	HI-00065-03	COUPLER HUB, 3/4
10	1	HI-00065-02	COUPLER HUB, 1 1/8
11	1	HI-00065-01	COUPLER INSERT
12	1	HI-05001	BELL HOUSING
13	1	HI-05004	HYDRAULIC PUMP
14	1	HI-05004-1	CONTROL KNOB, HYD PUMP
15	1	HI-05008	1-1/16-12 O-RING X 3/4 JIC
16	1	HI-05007	6 ORB X 6 JIC 90 DEGREE
17	1	HI-05009	1-1/16-12 OUTLET FLANGE
18	1	HI-05010	1" NPT INLET FLANGE

15.15 TRANSFORMER COVER ASSEMBLY

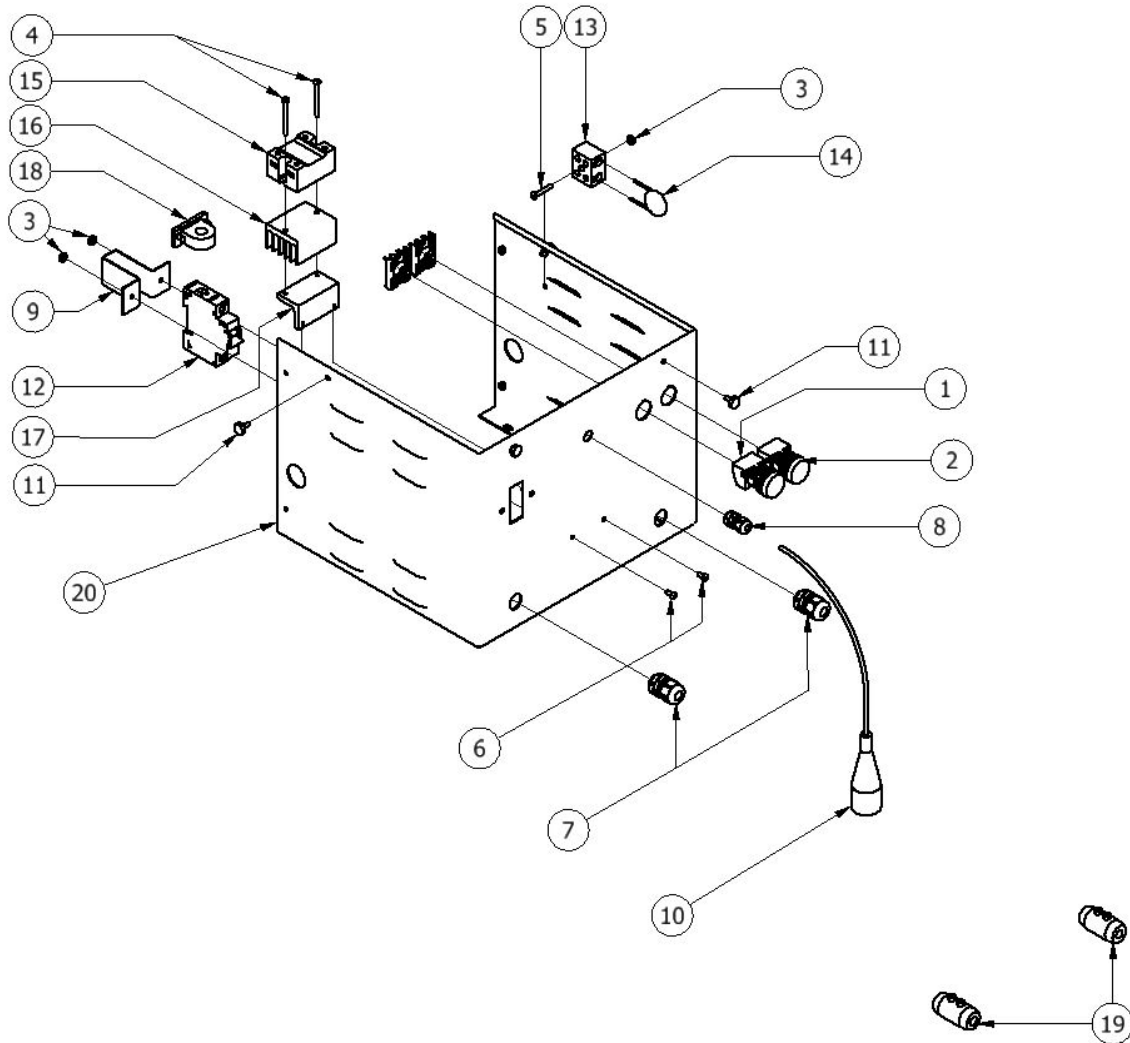


Figure 29: Transformer Cover Assembly

TRANSFORMER COVER ASSEMBLY			
ITEM	QTY	PART NUMBER	DESCRIPTION
1	1	201242	LIGHT UNIT, RED, 120VAC
2	1	201243	LIGHT UNIT, WHITE, 120VAC
3	3	201057	NUT, HEX, #8-32
4	2	201586	SHCS, #8-32 X 1.750, 18-8 SS
5	1	202326	BHCS, #8-32 X 1.250, 18-8 SS
6	2	201633	BHCS, #8-32 X 0.375, 18-8 SS
7	2	EL-000P12	HAYCO #6 AWG SR
8	1	EL-000P7	HAYCO SR THERMOCOUPLE
9	1	EL-00118A-00-1	HOSE BREAKER MOUNTING PLATE
10	1	EL-05235	THERMOCOUPLE HARNESS, 24"
11	4	EL-05700-27	TRANSFORMER KNOB
12	1	EL-150	CIRCUIT BREAKER, 63 AMP
13	1	EL-192	TERMINAL BLOCK
14	1	EL-193	INRUSH CURRENT LIMITER
15	1	EL-35	HOSE HEAT RELAY
16	1	EL-35-1	HEAT SINK
17	1	EL-35-2	RELAY BRACKET
18	1	EL-37	TRANSFORMER, SIGNAL
19	2	KT-00029A-1	HOSE HEAT, CONNECTOR BODY
20	1	RM-05700-25	TRANSFORMER COVER, SIDES

15.16 FRAME ASSEMBLY

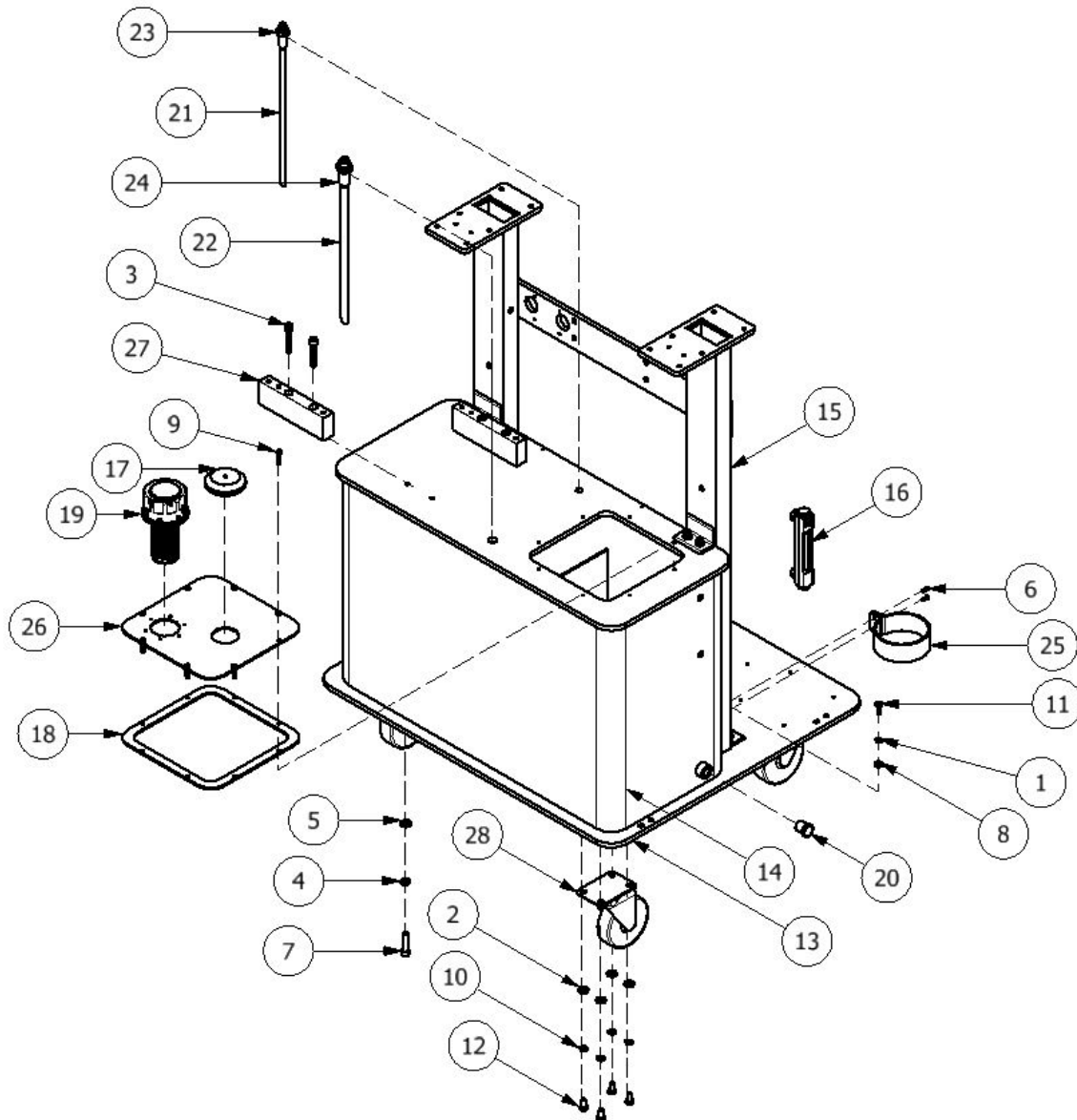


Figure 30: Frame Assembly (FR-1)

FRAME ASSEMBLY (FR-1)			
ITEM	QTY	PART NUMBER	DESCRIPTION
1	8	201060	WASHER, LOCK, 1/4
2	16	201580	WASHER, FLAT, 5/16, 18-8 SS
3	4	201583	SHCS, 3/8-16 X 2.000, 18-8 SS
4	4	201587	WASHER, LOCK, 3/8, 18-8 SS
5	4	201588	WASHER, FLAT, 3/8, 18-8 SS
6	2	201590	BHCS, #8-32 X 0.5, 18-8 SS
7	4	201620	SHCS, 3/8-16 X 1.500, 18-8 SS
8	8	201621	WASHER, FLAT, 1/4, 18-8 SS
9	8	201902	BHCS, 1/4-20 X 1.0, 18-8 SS
10	16	202145	WASHER, LOCK, 5/16, 18-8 SS
11	8	202146	HHCS, 1/4-20 X 0.750, ZP GRD 8
12	16	202313	HHCS, 5/16-18 X 0.625, ZP GRD 5
13	1	FR-4	WELDMENT, BASE, PH-2
14	1	FR-5	WELDMENT, TANK, SUB
15	1	FR-8	WELDMENT, UPRIGHT, PH-2
16	1	HI-00001A	SIGHT GAUGE
17	1	HI-00002-A	GROMMET, RUBBER, 1.865 ID
18	1	HI-000014-03A	TANK TOP GASKET
19	1	HI-00047A	HYDRAULIC FILL STRAINER
20	1	HI-05048	DRAIN PLUG
21	1	HI-05306	TANK PUMP DRAIN TUBE
22	1	HI-05308	TANK DISCHARGE TUBE
23	1	HI-05317	3/8 JIC BULKHEAD UNION
24	1	HI-05319	1/2 JIC BULKHEAD UNION
25	1	MQ-01008A	LUBE BOTTLE BRACKET
26	1	RM-05700-11	TANK LID
27	2	RM-05700-15	MOTOR MOUNT BARS
28	4	TN-05704	4" CASTER

15.17 FINAL ASSEMBLY

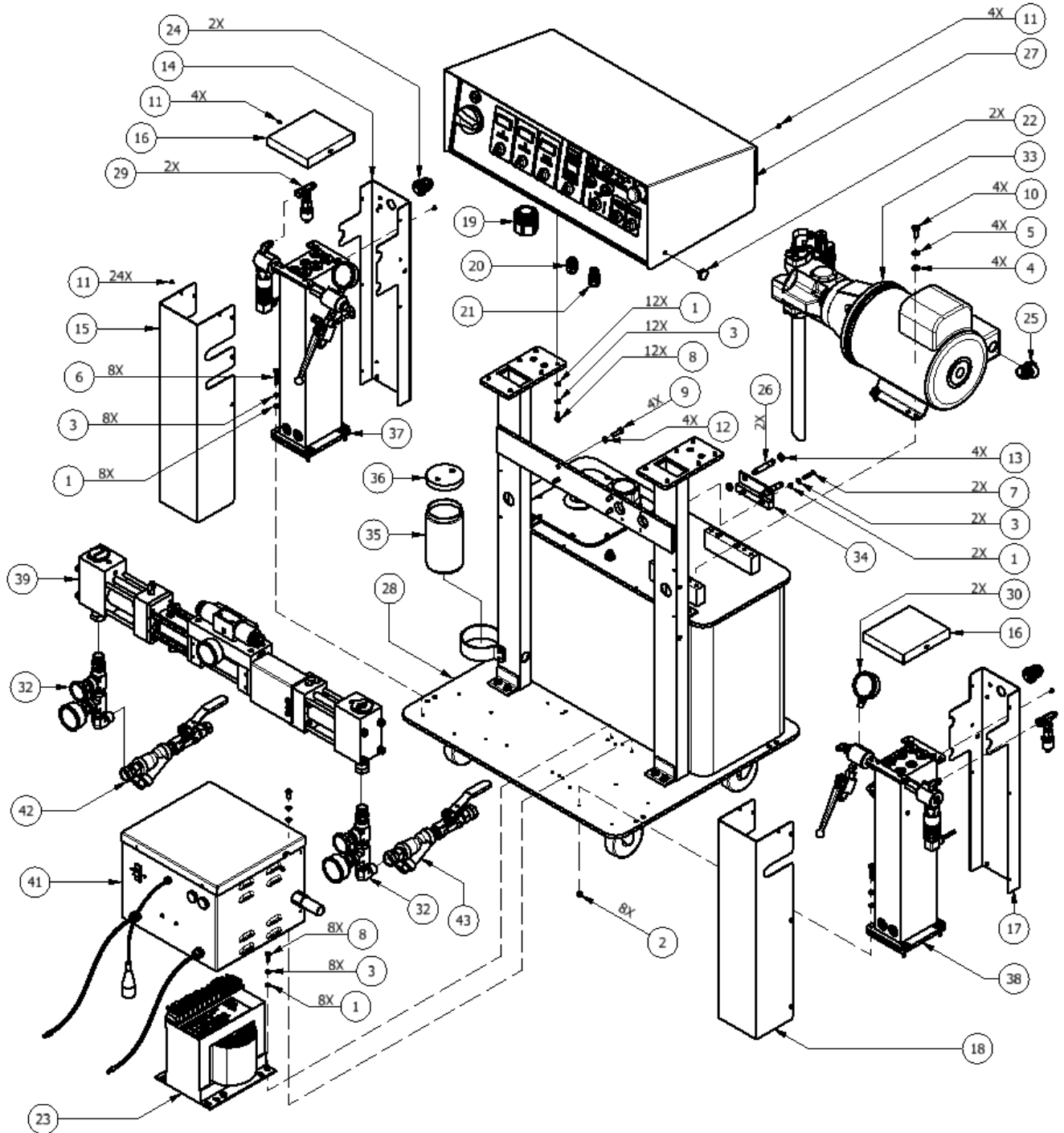


Figure 31: PH(X)-25/PH(X)-40 Final Assembly

PH(X)-25/PH(X)-40 FINAL ASSEMBLY				
ITEM	QTY	PART NUMBER	DESCRIPTION	MACHINE
1	30	201056	WASHER, FLAT, 1/4, 18-8 SS	ALL
2	8	201058	NUT, HEX, 1/4-20, 18-8 SS	ALL
3	30	201060	WASHER, LOCK, 1/4, 18-8 SS	ALL
4	4	201588	WASHER, FLAT, 3/8, 18-8 SS	ALL
5	4	201628	WASHER, LOCK, 3/8, 18-8 SS	ALL
6	8	201887	HHCS, 1/4-20 X 1.500, ZP GRD 8	ALL
7	2	201903	BHCS, 1/4-20 X 1.250, 18-8 SS	ALL
8	20	202146	HHCS, 1/4-20 X 0.750, ZP GRD 8	ALL
9	4	202151	HHCS, 5/16-18 X 1.000, ZP GRD 8	ALL
10	4	202152	HHCS, 3/8-16 X 1.000, ZP GRD 8	ALL
11	32	202191	BHCS, #8-32 X 0.250, 18-8 SS	ALL
12	4	202554	WASHER, LOCK, 5/16, ZP	ALL
13	4	-	NUT, JAM, M10 X 1.5	ALL
14	1	CL-02001-05A	"A" HEATER COVER, BACK	ALL
15	1	CL-02001-06A	"A" HEATER COVER, FRONT	ALL
16	2	CL-02001-07A	HEAT COVER, TOP	ALL
17	1	CL-02002-05A	"R" HEATER COVER, BACK	ALL
18	1	CL-02002-06A	"R" HEATER COVER, FRONT	ALL
19	1	EL-00088-01A	HEYCO SR INCOMING POWER	ALL
20	1	EL-000P12	HAYCO #6 AWG SR	ALL
21	1	EL-000P13	STRAIN RELIEF	ALL
22	2	EL-05220-01	CONSOLE KNOBS	ALL
23	1	EL-05225	90V TRANSFORMER	PH(X)-25
	1	EL-05226	120V TRANSFORMER	PH(X)-40
24	3	EL-05230-02	STRAIGHT CONDUIT CONNECTOR	ALL
25	1	EL-05230-03	RT ANGLE CONDUIT CONNECTOR	ALL
26	2	EL-153	12MM PROX SWITCH	ALL
27	1	201912	CONSOLE ASSY, 3HP, 1PH, 220V	PH(X)-25
	1	201913	CONSOLE ASSY, 3HP, 3PH, 220V	
	1	201914	CONSOLE ASSY, 3HP, 3PH, 380V	
	1	201915	CONSOLE ASSY, 3HP, 1PH, 220V	PH(X)-40
	1	201916	CONSOLE ASSY, 3HP, 3PH, 220V	
	1	201917	CONSOLE ASSY, 3HP, 3PH, 380V	
28	1	FR-1	FRAME/TANK ASSEMBLY	ALL
29	2	HI-05006-5	PARKER 6 RX6-S BP-PRESSURE TEE	ALL
30	2	HI-05028	PRESSURE GAUGE, 0-3000 PSI	PH-25/PH-40
	2	HI-00035	PRESSURE GAUGE, 0-5000 PSI	PHX-25/PHX-40
31	1	202455	BLEED VALVE KIT	ALL
32	1	KT-05005	INLET MONITORING KIT	ALL

ITEM	QTY	PART NUMBER	DESCRIPTION	MACHINE
33	1	ML-1	MOTOR LINE ASSY, 3HP, 3PH, 60HZ	PH(X)-25
	1	ML-2	MOTOR LINE ASSY, 3HP, 1PH, 60HZ	
	1	ML-3	MOTOR LINE ASSY, 5HP, 1PH, 60HZ	PH(X)-40
	1	ML-4	MOTOR LINE ASSY, 5HP, 3PH, 60HZ	
34	1	MQ-01005A	REVERSING SWITCH, MTG PLATE	ALL
35	1	MQ-01009-01A	LUBE BOTTLE	ALL
36	1	MQ-01009-02A	LUBE BOTTLE LID	ALL
37	1	PH-1	"A" SIDE HEATER, 5KW	PH(X)-25
	1	PH-3	"A" SIDE HEATER, 6KW	
	1	PH-11	"A" SIDE HEATER, 4KW	
	1	PH-5	"A" SIDE HEATER, 7.5KW	PH(X)-40
	1	PH-7	"A" SIDE HEATER, 9.0KW	
	1	PH-9	"A" SIDE HEATER, 10.5KW	
38	1	PH-2	"R" SIDE HEATER, 5KW	PH(X)-25
	1	PH-4	"R" SIDE HEATER, 6KW	
	1	PH-12	"R" SIDE HEATER, 4KW	
	1	PH-6	"R" SIDE HEATER, 7.5KW	PH(X)-40
	1	PH-8	"R" SIDE HEATER, 9.0KW	
	1	PH-10	"R" SIDE HEATER, 10.5KW	
39	1	PL-1A	PUMP-LINE ASSY, 120 PUMPS	ALL
	1	PL-2	PUMP-LINE ASSY, 80 PUMPS	ALL
40	1	RM-05700-26	TRANSFORMER COVER, TOP	ALL
41	1	RM-05700-34	TRANSFORMER COVER, SIDE ASSY	ALL
42	1	YS-1	Y-STRAINER ASSY, "A" SIDE	ALL
43	1	YS-2	Y-STRAINER ASSY, "R" SIDE	ALL

15.18 PH(X)-25/PH(X)-40 HOSES

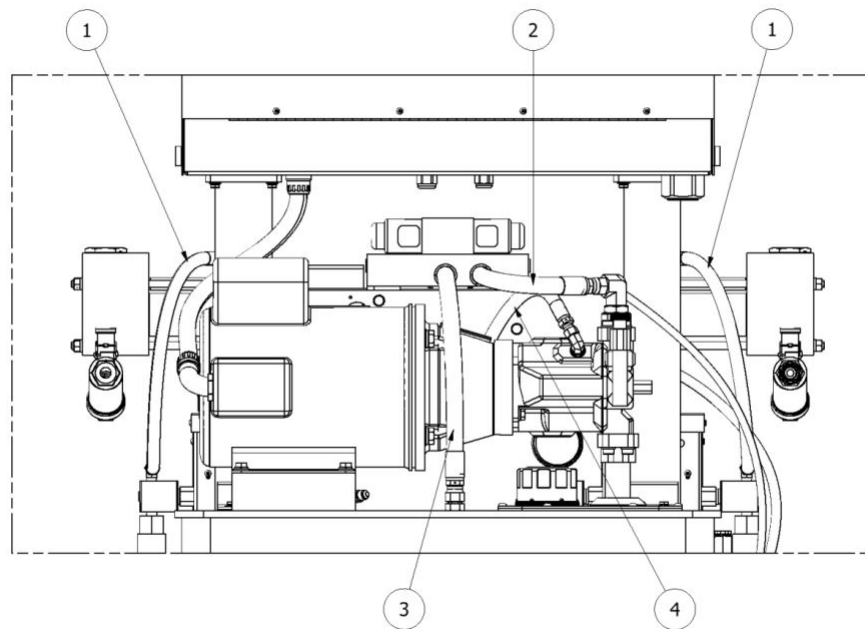


Figure 32: Proportioner Hoses

PROPORTIONER HOSES			
ITEM	QTY	PART NUMBER	DESCRIPTION
1	2	HI-05047	HOSE, PUMP TO HEATER
2	1	HI-05014	HYDRAULIC PUMP OUTPUT HOSE 1/2
3	1	HI-05013	HYDRAULIC PUMP RETURN HOSE 1/2
4	1	HI-05047-1	HYDRAULIC PUMP DRAIN HOSE

15.18.1 HALF INCH HOSE KIT

HALF INCH HOSE KIT (200212)		
QTY	PART NUMBER	DESCRIPTION
1	RA-00010	ISO MALE MANIFOLD FITTING
1	RA-00011	POLY MALE MANIFOLD FITTING
1	RA-00019	JIC REDUCER 7/8-14 X 9/16-18
1	RA-00020	JIC REDUCER 3/4-16 X 1/2-20

15.19 LUBE BOTTLE COMPONENTS

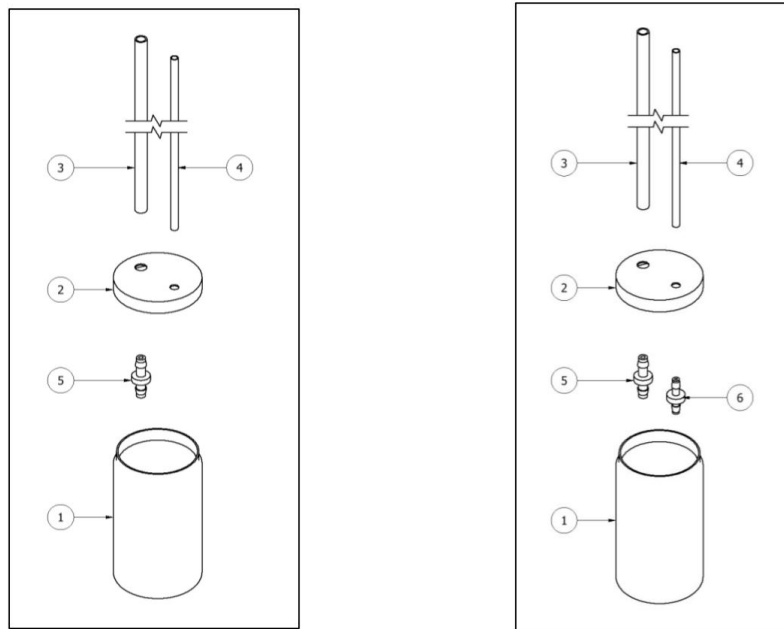


Figure 33: Lube Bottle Assembly

LUBE BOTTLE ASSEMBLY			
ITEM	QTY	PART NUMBER	DESCRIPTION
1	1	MQ-01009-01A	LUBE BOTTLE
2	1	MQ-01009-02A	LUBE BOTTLE LID
3	1	MA-00024A	1/2" X 3' PLASTIC TUBING, SUPPLY
4	1	MA-00025A	3/8" X 3' PLASTIC TUBING, RETURN
5	1	RA-00068A	CHECK VALVE (PH-25/PH-40)
6	1	RA-06008	CHECK VALVE (PHX-25/PHX-40)
-	1	GP-00960-1-GAL	PUMP LUBE GALLON
-	1	GP-00960-1-QRT	PUMP LUBE QUART

LUBE RESERVOIR KIT (KT-05004)		
QTY	PART NUMBER	DESCRIPTION
1	RA-00068A	CHECK VALVE
1	TN-04196	HOSE CLAMP
1	MQ-01009-01A	LUBE BOTTLE
1	MQ-01009-02A	LUBE BOTTLE LID
1	MA-00024A	1/2 X 3' PLASTIC TUBING, SUPPLY
1	MA-00025A	3/8" X 3' PLASTIC TUBING, RETURN